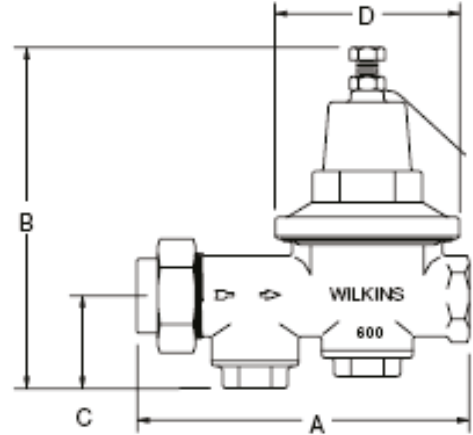


MODEL 600 Water Pressure Reducing Valve

Dimensional Data (mm) are Subject to Manufacturing Tolerances and Change Without Notice



PRODUCT APPLICATION

- For use on potable water lines to reduce high inlet pressure to a lower outlet pressure
- Suits both residential & commercial water systems requiring frequent cleaning because of sediment & debris
- Integral strainer
- Integral bypass design prevents build up of excessive system pressure caused by thermal expansion
- Balanced piston design

PRODUCT CODES

MODEL 600	
15-600HLR	15mm Pressure Reducing Valve
15-600HLRHT	15mm PRV - High Temp
20-600HLR	20mm Pressure Reducing Valve
20-600HLRHT	20mm PRV - High Temp
25-600HLR	25mm Pressure Reducing Valve
25-600HLRHT	25mm PRV - High Temp
32-600HLR	32mm Pressure Reducing Valve
32-600HLRHT	32mm PRV - High Temp
40-600HLR	40mm Pressure Reducing Valve
40-600HLRHT	40mm PRV - High Temp
50-600HLR	50mm Pressure Reducing Valve
50-600HLRHT	50mm PRV - High Temp

SIZE	A	B	C	D	WEIGHT
15MM	133	159	32	70	1.5KG
20MM	135	140	32	70	1.5KG
25MM	156	184	51	86	2.5KG
32MM	181	203	51	100	3.0KG
40MM	232	254	64	127	6.0KG
50MM	260	305	76	165	9.5KG

ENGINEERING SPECIFICATION

MODEL 600

Max. working water pressure	2100kPa
Max. working water temp (600HLR)	60°C
Max. working water temp (600HLRHT)	82°C
Reduced pressure range	70-800kPa
Factory preset	350kPa
Maximum reduction	4 to 1

MATERIALS

MODEL 600

Valve body	DZR Brass
Fastener	Stainless Steel
Stem & Plunger	DZR Brass
Elastomers	AS 4020
Strainer	Stainless Steel

STANDARDS COMPLIANCE

- Watermark Approved
WM-001965

