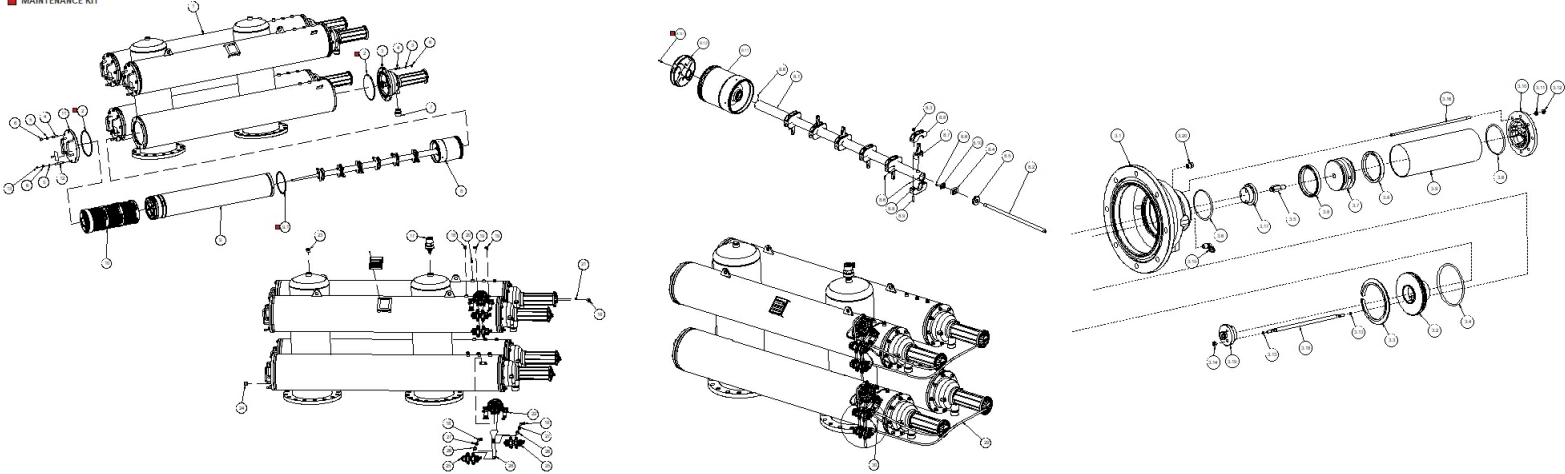


■ MAINTENANCE KIT



MG114

Pos.	Part No.	Description	Qty
	700194-000042	MG X4 PREVENTIVE MAINTENANCE ONE YEAR	1
1	710105-MG114	MG114-27200 HOUSING PKPK 5010 ST.37-2 POLYESTER	1
2	770102-000174	PARKER O-RING 2-448 NBR 70 SHORE	8
3	700190-001541	COVER ASSY CAST-IRON W/PIS AND VALVE PISTON MOD	4
3.10	710103-000799	PLUG PISTON M104/6LP RPA M10X(L)(P)	4
3.1	710103-000819	M100 COVER PMPM 5010 CAST-IRON POLYESTER	4
3.11	760103-000094	FLAT WASHER M6 DIN125 S/ST316	32
3.12	760102-000097	NYLON INSERT LOCKNUT 1/4"UNC S/ST316 DIN985	32
3.13	770102-000058	PARKER O-RING 2-009 NBR 70 SHORE	40
3.14	760102-000078	HEX NUT 1/4"UNC S/ST316 B18.2.2	20
3.15	720501-000908	L-CONNECTOR 1/4"M X8MM BSPT RPP RED-BLUE TEFEN	4
3.16	710103-000903	ROD M104/6LP S/ST303 PISTON COVER ASSEMBLY	32
3.17	710104-000039	M104/6LP VALVE SEAT BRASS NR	4
3.18	710103-000895	SPACER BOLT VALVE M104/6LP S/ST303 PISTON COVER ASSEMBLY	12
3.19	710104-000040	M104/6LP VALVE BEARING BRASS RL (NEOPREN) COMBINED ASSY	4
3.2	710103-000901	SEAT SEAL M100 POM VALVE	4
3.20	720501-000190	PLUG 1/4"M BSPT PA66 BLUE TEFEN	4
3.3	710103-000902	RING RETAINING M104/6LP PVC PISTON COVER ASSEMBLY	4
3.4	770102-000156	PARKER O-RING 2-351 NBR 50 SHORE	4
3.5	710103-000869	ROD M104/6LP S/ST316 PISTON COVER ASSEMBLY	4

MG114

Pos.	Part No.	Description	Qty
3.6	770102-000126	PARKER O-RING 2-237 NBR 70 SHORE NO FLASH	8
3.7	710103-000900	HOLDER CYLINDER SEAL M104/6LP POM PISTON COVER ASSEMBLY	4
3.8	770105-000019	U-CUP SEAL NBR OD95MM ID75MM H10MM 65 SHORE	8
3.9	710103-000843	CYLINDER 95MM M104/6LP S/ST316 POLISH F/PISTON	4
4	760104-000075	STUD BOLT 1/2" UNC 50MM S/ST303	60
5	760103-000077	FLAT WASHER M12 DIN125 C/ST ZINC PLATED	64
6	760102-000052	HEX NUT 1/2"UNC C/ST ZINC PLATED B18.2.2	64
7	780101-000611	REDUCER 2"X1 1/2" PP PLASSON	4
8	700190-001670	DIRT COL.ASSY 6 NOZ+PARTITION STD M104XLP/110P	4
8.1	710103-000920	BODY M104/6LP S/ST304 F/DIRT COLLECTOR 6 NOZZLES	4
8.1	710103-010021	CONNECTOR M100 BRASS F/DIRT COLLECTOR	4
8.11	710101-001614	M100 FLUSHING CHAMBER RPP BLACK	4
8.12	710101-001629	M100 TURBINE PISTON RPP BLACK	4
8.12.1	710103-011620	BEARING M100 PISTON K110/D2	4
8.2	710103-001483	SHAFT DIRT COLLECTOR M300-3000A BRASS	4
8.3	760102-000097	NYLON INSERT LOCKNUT 1/4"UNC S/ST316 DIN985	48
8.4	710103-000800	CENTRAL SUPPORT COLLECTOR M104/6LP RPA	4
8.5	710103-000802	PLUG TOP M104/6LP RPA DIRT COLLECTOR	4
8.6	760101-000688	PHILLIPS PAN TAPPING SCREW NO.8 3/8" S/ST316 ASME B18.6.4 TYPE-AB	48
8.7	710101-000704	F100 SUCTION NOZZLE OVAL RPA BLACK	24

MG114

Pos.	Part No.	Description	Qty
8.8	710101-000693	F100 CLIP RPA NATURAL	48
8.9	760101-000417	HEX BOLT PARTIAL THRD 1/4"UNC 1 1/4" S/ST304 ASME B18.2.1	48
9	700101-000597	MOLDED WEAWEWIRE SCREEN S/ST316L 8890SQ.CM 80MIC M100 NBR SEALS PVC ENDS	4
9	700101-000598	MOLDED WEAWEWIRE SCREEN S/ST316L 8890SQ.CM 100MIC M100 NBR SEALS PVC ENDS	4
9	700101-000599	MOLDED WEAWEWIRE SCREEN S/ST316L 8890SQ.CM 130MIC M100 NBR SEALS PVC ENDS	4
9	700101-000600	MOLDED WEAWEWIRE SCREEN S/ST316L 8890SQ.CM 200MIC M100 NBR SEALS PVC ENDS	4
9	700101-000601	MOLDED WEAWEWIRE SCREEN S/ST316L 8890SQ.CM 300MIC M100 NBR SEALS PVC ENDS	4
9	700101-000602	MOLDED WEAWEWIRE SCREEN S/ST316L 8890SQ.CM 500MIC M100 NBR SEALS PVC ENDS	4
9	700101-001645	MOLDED WEAWEWIRE SCREEN S/ST316L 8890SQ.CM 50MIC M100 NBR SEALS	4
9.1	770102-000217	DOWTY O-RING SEAL 674 ID=208.92MM TH=6.99MM NBR 55 SHORE	8
10	700190-004629	INJECTED COARSE SCREEN ASSEMBLY M108LP/M110P	4
11	710105-000362	M104/6LP COVER PKPK 5010 ST.37-2 POLYESTER	4
12	760104-000081	STUD BOLT 1/2" UNC 92MM S/ST303	4
13	760190-000666	RUBBER BOLT COVER 1/2" BLACK	4
16	760105-000036	RIVET BLIND 3X6MM S/ST316 DIN7337	4
17	730108-000120	AIR RELEASE VALVE A.R.I BARAK D-040-P 1" BSPT NYLON3 16BAR W/3/8" DRAIN OUT	1
18	720501-000172	L-CONNECTOR 3/8"M X12MM BSPT ACETAL BLACK TEFEN	10
19	720501-000229	L-CONNECTOR 1/4"M X8MM BSPT ACETAL BLACK-BLUE TEFEN	4
20	720501-000336	PLUG 3/8"M BSPT PA66 BLUE TEFEN	2
21	720501-000190	PLUG 1/4"M BSPT PA66 BLUE TEFEN	10

MG114

Pos.	Part No.	Description	Qty
22	700103-001764	ADI-P DC KIT PACKAGE TWO SOLENOIDS NC	2
23	780101-000947	PLUG 1" BSP M PP PLASSON DW	1
24	780101-000946	PLUG 3/4" BSP M PP PLASSON	2
25	700190-006136	AMIAD ACCELERATOR ASSEMBLY	4
26	760103-000128	FLAT WASHER M16 DIN125 S/ST316	4
27	720501-000157	COUPLING 3/8"F BSPT PA66 BLUE TEFEN	4
28	710103-011847	BRACKET MG S/ST304 BOOSTER	2
29	720502-000021	CONTROL TUBE 12MM LDPE BLACK TEFFEN	4
30	720502-000017	CONTROL TUBE 8MM LDPE BLACK W/GREEN STRIPE TEFFEN	6
700194-000042	700194-000042	MG X4 PREVENTIVE MAINTENANCE ONE YEAR	1