



**Omega Series** | Automatic multi-screen filter

# MASTERS OF FILTRATION



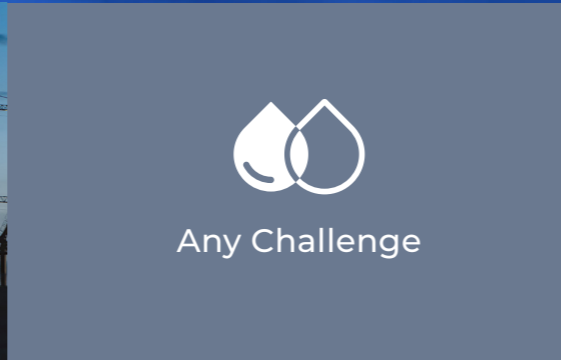
Any Technology



Anywhere



Any Challenge



Any Water Source



**Your water challenge.**  
**Our filtration solution.**

Amiad Water Systems is a world leader in water treatment and filtration solutions. For over 57 years Amiad has devoted its passion and commitment to developing a comprehensive line of water filtration systems for a wide range of industrial applications.

Our solutions are integrated into the core of water filtration systems in the following industries and applications: metal, plastic, energy, chemical, water treatment and salt water disposal.

We develop filters that are able to cope with any water quality, in any geographical location.

We've spent years mastering filtration technology so we can offer a wide range of filters for every industrial need, including screen, disc, microfiber or media technology.

We consider every challenge as an opportunity to work side by side with our customers to solve their problems.

We'll go anywhere to ensure our filters perform as expected, 24/7, every day of the year.

When you want a high-performance solution for your water filtration system, consult with Amiad. We focus on doing what we do best.

**Amiad. Masters of Filtration.**



Disc  
Technology



Screen  
Technology



Media  
Technology



Microfiber  
Technology



# OMEGA FILTER FEATURES



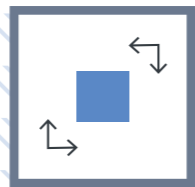
High cleaning efficiency



Large filtration area



High flow rate

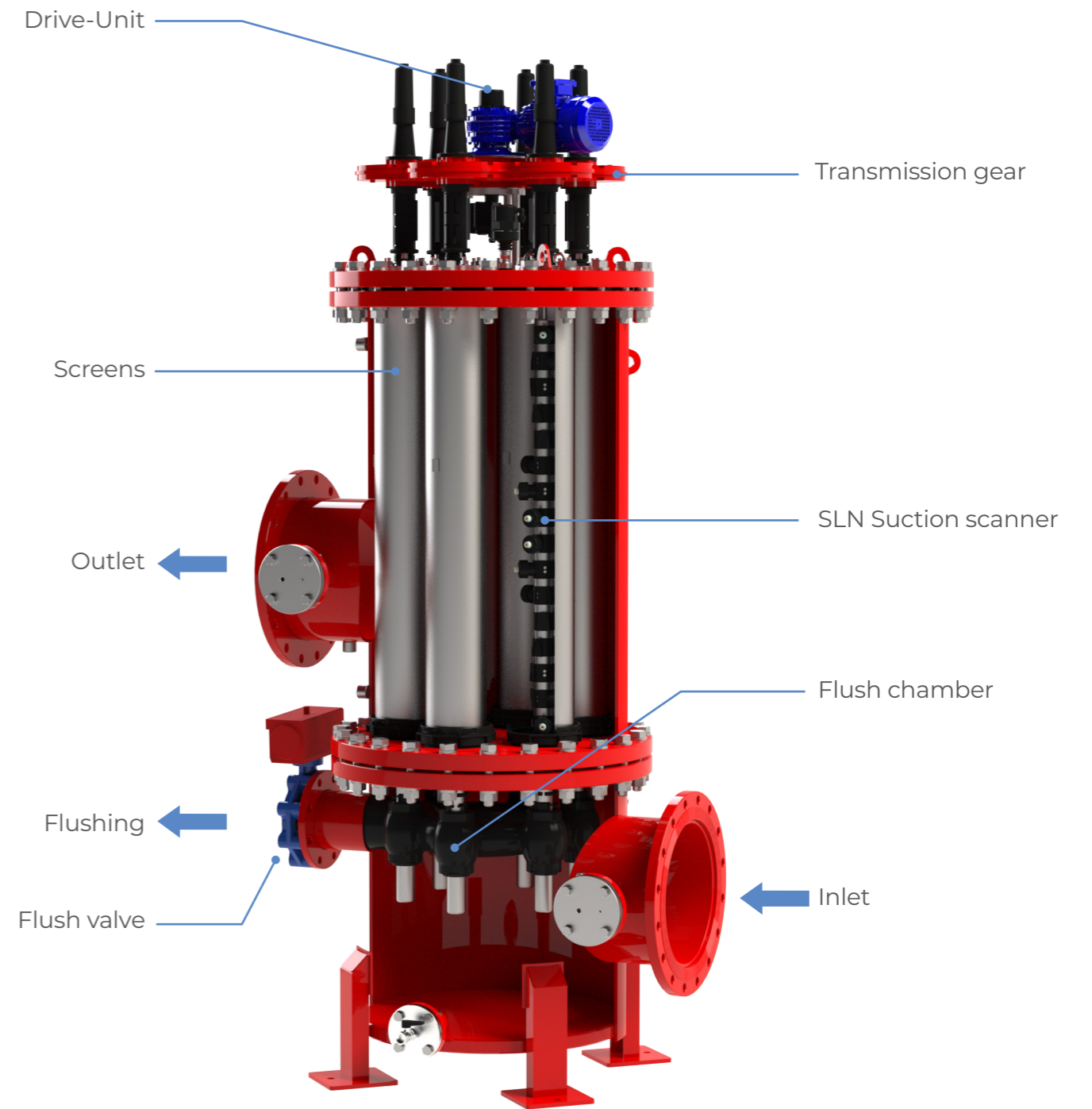


Compact footprint



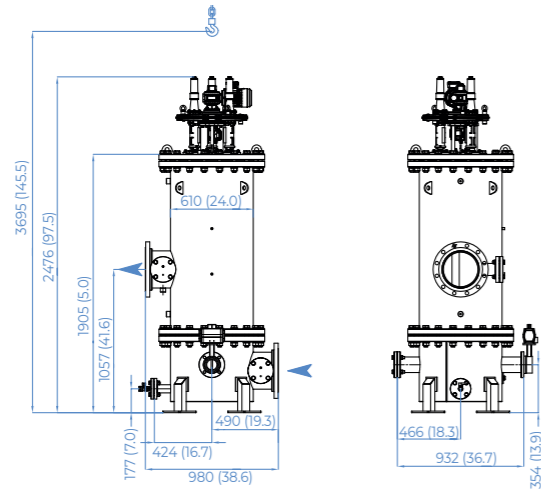
Efficient fine filtration

## Omega Parts

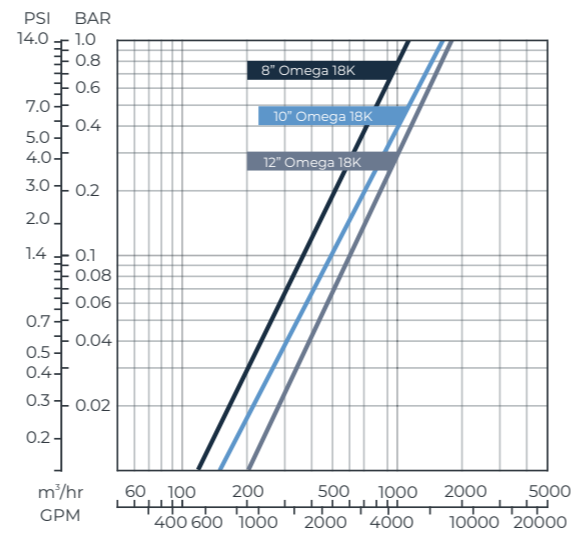


# Omega Series

## Omega 18K



### Head Loss Graph (in clean water)

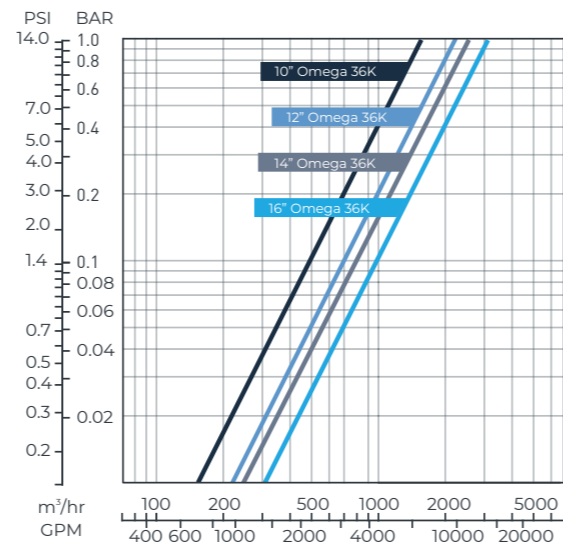
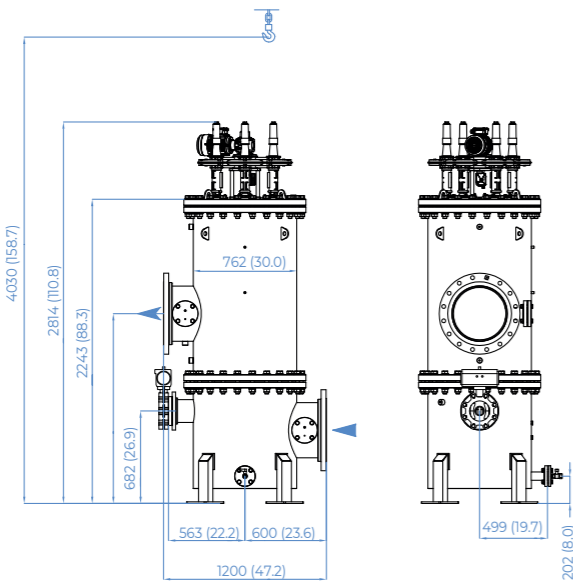


### Technical Specifications

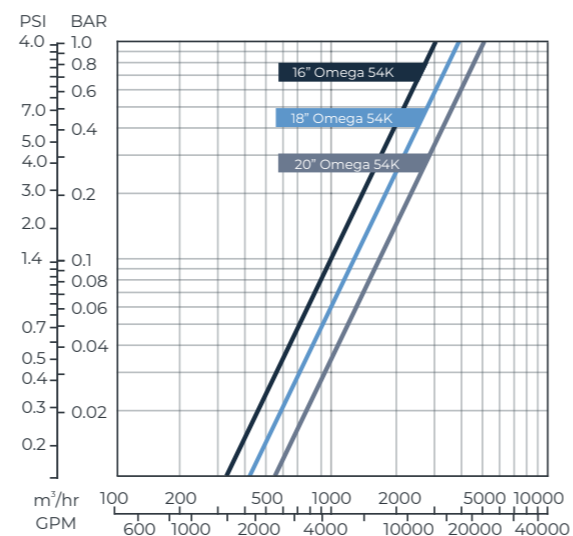
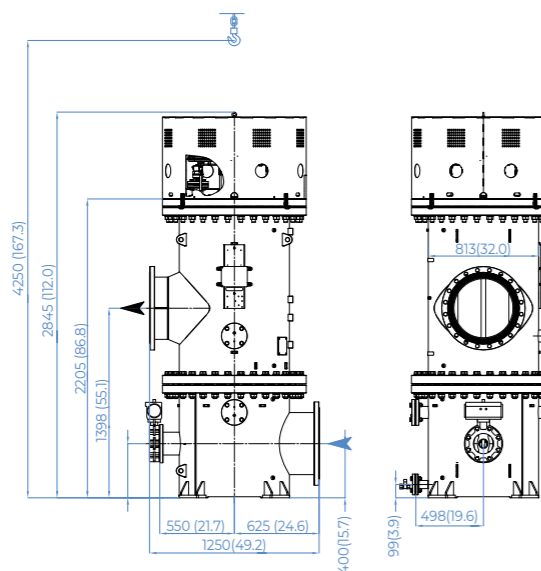
Filter Model	Omega 18K	Omega 36K	Omega 54K
<b>General Data</b>			
Maximum flow rate*	750m³/h (3,300 gpm)	1,500 m³/h (6,600 gpm)	2,250 m³/h (9,900 gpm)
Inlet/Outlet size (Flange standards as per request)	DN200 – DN300 (8"-12")	DN250 – DN400 (10"-16")	DN400-DN500 (16"-20")
Minimum working pressure	2 bar (30 psi)		
Maximum working pressure	10 bar (150 psi)/16 bar (240 psi) upon request		
Filtration area	18,000 cm² (2,800 in²)	36,000 cm² (5,600 in²)	54,000 cm² (8,400 in²)
Weight (empty)	1,050 kg (2,240 lb.)	1,560 kg (3,439 lb.)	2,345 kg (5,170 lb.)
Operational weight	1,540 kg (3,390 lb.)	2,520 kg (5,556 lb.)	4,985 kg (10,990 lb.)

\* Consult manufacturer for optimum flow depending on filtration degree & water quality.

## Omega 36K



## Omega 54K



mm (inch)  
 \*Approx. length required for maintenance

### Flushing Data

Exhaust valve	DN80 (3")	DN150 (6")	DN150 (6")
Flushing cycle time	15 – 25 seconds		
Reject water volume per flush cycle	270 liter (72 gallon)	550 liter (145 gallon)	840 liter (220 gallon)
Minimum flow for flushing	40 m³/h (176 gpm)	80 m³/h (352 gpm)	120 m³/h (528 gpm)

### Control and Electricity \*\*

Electric motor	0.55 kW/0.73 HP	0.75 kW/1.0 HP	1.1 kW/1.4 HP
Rated operation voltage	3 phase, 230/400/460 VAC 50/60 HZ		
Current consumption	1.4 A	1.9 A	2.4 A
Control voltage	24 VDC (24 AC and other voltages upon request)		

\*\* Control board is available upon request.

### Construction materials \*\*\*

Filter housing & lid	Epoxy coated fabricated carbon steel
Filtration elements	Multi-layer reinforced weavewire stainless steel 316L screens
Cleaning mechanism	Stainless steel 316L and polymeric materials
Exhaust valve	Cast iron rubber lined
Seals	NBR/EPDM
Control and Instrumentations	Stainless steel and polymeric

\*\*\* Other construction materials and coatings for corrosive environment are available upon request.

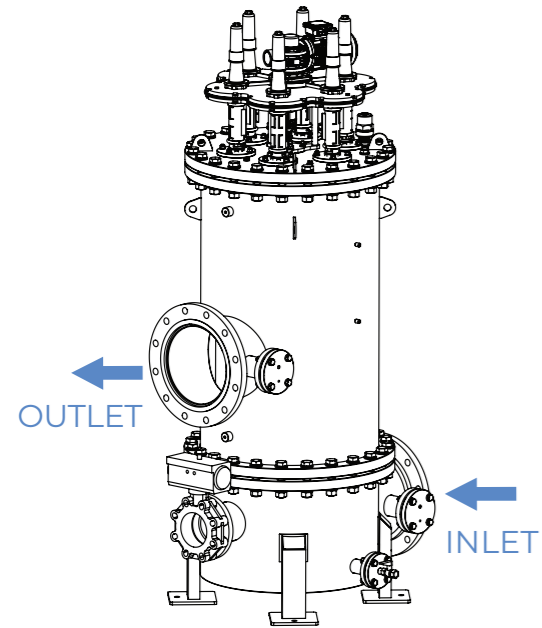
### Standard Filtration Degrees

micron	500	300	200	130	100	80	50	40	30	20	10
mm	0.5	0.3	0.2	0.13	0.1	0.08	0.05	0.04	0.03	0.02	0.01

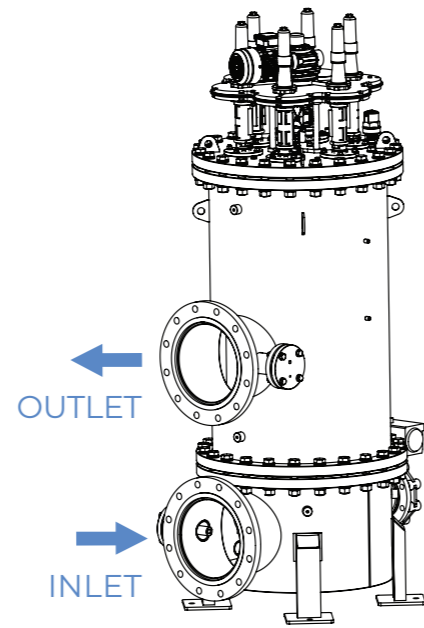
# Omega: Configurations

## Optional Inlet-Outlet Configurations:

The inlet and outlet flanges can be configured in different positions, and easily integrated into required layout.



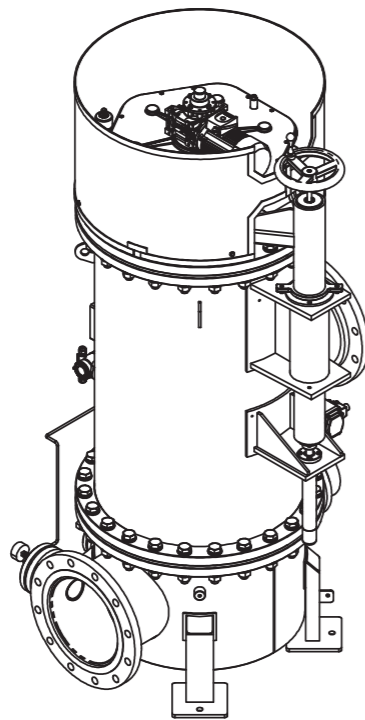
Inlet/Outlet - Opposite sides



Inlet/Outlet - Same side

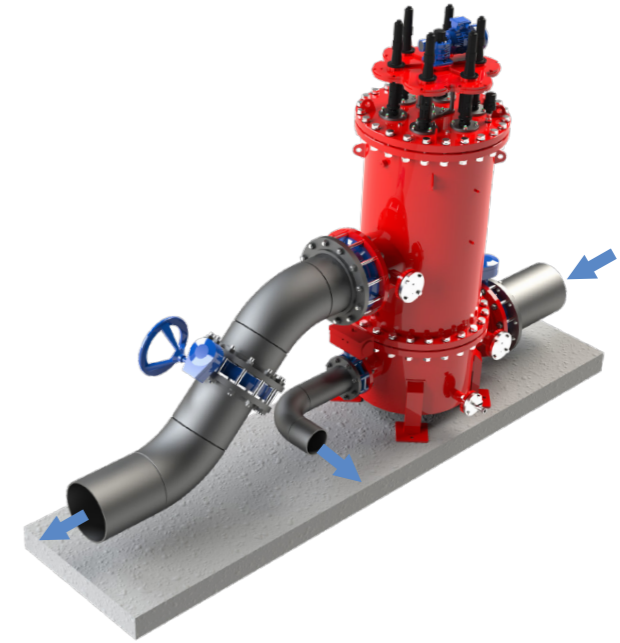
## Optional Davit Arm Lift

Models are available with a specifically-designed manual Davit arm lift for easy vessel lid removal  
\*\*\*Must be specified in order

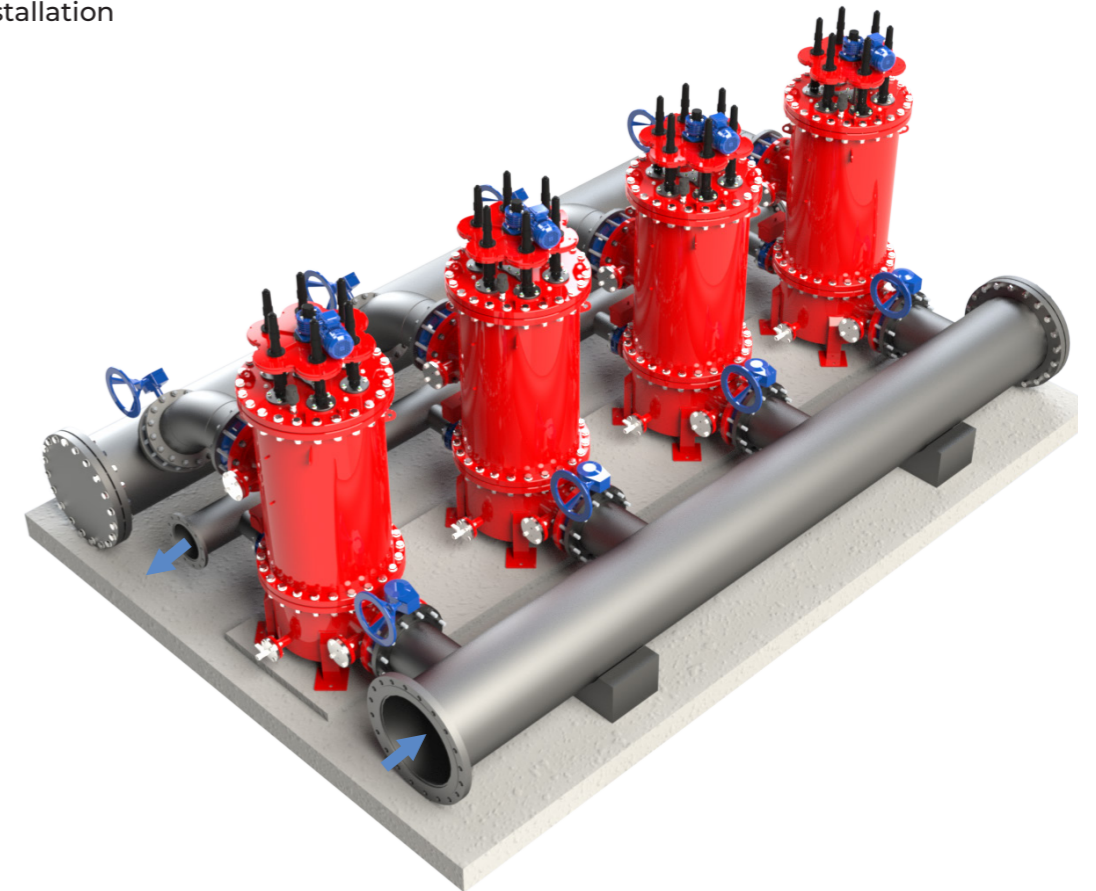


## Typical Installation

### Single Filter Installation



### Multiple Filters installation





## Headquarters

**Amiad Water Systems Ltd.**

Web: [www.amiad.com](http://www.amiad.com)

E-mail: [info@amiad.com](mailto:info@amiad.com)

## The Americas

### USA

**Amiad USA Inc.**

Web: [us.amiad.com](http://us.amiad.com) | E-mail: [infousa@amiad.com](mailto:infousa@amiad.com)

### Mexico

**Amiad México SA DE CV,**

Web: [es.amiad.com](http://es.amiad.com) | E-mail: [infomexico@amiad.com](mailto:infomexico@amiad.com)

## Asia

### India

**Amiad Filtration India Pvt Limited**

Web: [amiad.com](http://amiad.com) | E-mail: [info-india@amiad.com](mailto:info-india@amiad.com)

### China

**Amiad China (Yixing Taixing Environtec Co., Ltd.)**

Web: [cn.amiad.com](http://cn.amiad.com) | E-mail: [infochina@amiad.com](mailto:infochina@amiad.com)

### South-East Asia

**Filtration & Control Systems Pte. Ltd.**

Web: [amiad.com](http://amiad.com) | E-mail: [info-singapore@amiad.com](mailto:info-singapore@amiad.com)

## Australia

**Amiad Australia Pty Ltd.**

Web: [au.amiad.com](http://au.amiad.com) | E-mail: [sales@amiad.com](mailto:sales@amiad.com)

## Europe

**Amiad Water Systems Europe SAS**

Web: [amiad.com](http://amiad.com) | E-mail: [industry-europe@amiad.com](mailto:industry-europe@amiad.com)

### German branch office

Web: [de.amiad.com](http://de.amiad.com) | E-mail: [industry-de@amiad.com](mailto:industry-de@amiad.com)

### United Kingdom

**Amiad Water Systems UK Limited**

Web: [amiad.com](http://amiad.com) | E-mail: [info-uk@amiad.com](mailto:info-uk@amiad.com)



 **amiad** INDUSTRY

**MASTERS OF  
FILTRATION**

[www.amiad.com](http://www.amiad.com)

910101-000488/06.2022

Copyright © 2019 Amiad Water Systems Ltd. All rights reserved. The contents of this catalogue including without limitation all information and materials, images, illustrations, designs, icons, photographs, graphical presentations, designs, literary works, data, drawings, slogans, phrases, names, trademarks, titles and any other such materials that appear in this catalogue (collectively, the "Contents") are the sole property of Amiad Water Systems Ltd. ("Amiad"). Amiad has sole and exclusive right, title and interest in the Contents, including any intellectual property rights, whether registered or not, and all know-how contained or embodied therein. You may not reproduce, publish, transmit, distribute, display, modify, create derivative works from, sell or participate in any sale of, or exploit in any way, in whole or in part, any of the Contents or the catalogue. Any use of the catalogue or the Contents, other than for personal use, requires the advanced written permission of Amiad.