

amiad[®]
ORIGINAL
SINCE 1962



EBS FILTERS

Automatic screen filter
for fine filtration

MASTERS OF FILTRATION



Any Technology



Anywhere



Any Challenge



Any Water Source



Your water challenge.
Our filtration solution.

Amiad Water Systems is a world leader in water treatment and filtration solutions. For over 57 years Amiad has devoted its passion and commitment to developing a comprehensive line of water filtration systems for a wide range of industrial applications.

Our solutions are integrated into the core of water filtration systems in the following industries and applications: metal, plastic, energy, chemical, water treatment and salt water disposal.

We develop filters that are able to cope with any water quality, in any geographical location.

We've spent years mastering filtration technology so we can offer a wide range of filters for every industrial need, including screen, disc, microfiber or media technology.

We consider every challenge as an opportunity to work side by side with our customers to solve their problems.

We'll go anywhere to ensure our filters perform as expected, 24/7, every day of the year.

When you want a high-performance solution for your water filtration system, consult with Amiad. We focus on doing what we do best.

Amiad. Masters of Filtration.



Disc
Technology



Screen
Technology



Media
Technology



Microfiber
Technology

EBS FILTER FEATURES



Large filtration area



Solution for high-flow and poor quality water



Reliable and durable



Fine filtration



Available for seawater filtration applications

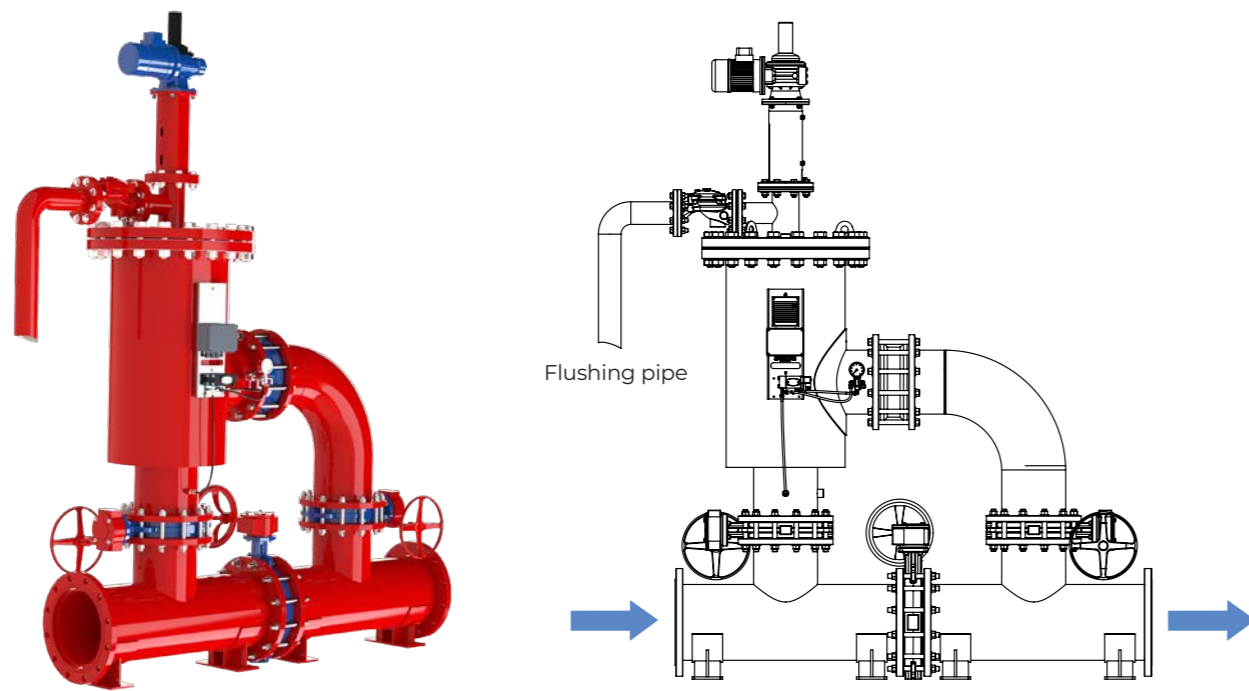


Automatic flushing according to PD and/or time

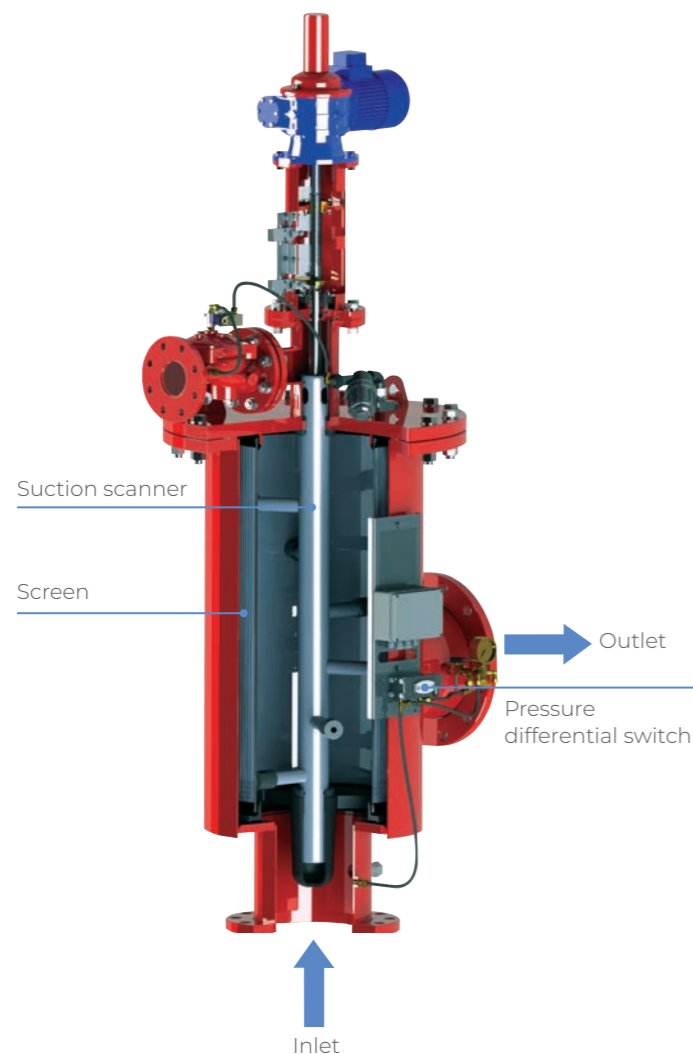


EBS Series: Long-lasting reliability

EBS Installation



EBS Parts



Scan to watch the EBS animation

Technical Specifications

Filter Type	EBS 10000	EBS 15000	Mega EBS 40000	Mega EBS 60000
General Data				
Maximum flow rate*	1,200 m ³ /h (5,300 gpm)	1,800 m ³ /h (8,000 gpm)	4,800 m ³ /h (21,100 gpm)	7,200 m ³ /h (32,000 gpm)
Inlet/Outlet diameter	8"-16" (200-400 mm)	10"-20" (250-500 mm)	16"-24" (400-600 mm)	20"-36" (500-900 mm)
Standard filtration degrees	800, 500, 300, 200, 130, 100, 80, 50, 40, 30, 20, 10 micron			
Min. working pressure	2 bar (30 psi)			
Max. working pressure	10 bar (150 psi) 16 bar (232 psi) upon request			
Max. working temperature	60°C (140°F)			
Electrical supply	3 phase, 220/380/440 VAC 50/60 Hz			
Weight [empty on-line models]	451 kg (992 lb)	536 kg (1,179 lb)	2,250 kg (4,960 lb)	6,200 kg (13,670 lb)

* Consult Amiad for optimum flow depending on filtration degree and water quality.

Flushing Data

Minimum flow for flushing (at 2 bar - 30 psi)	50 m ³ /h (220 gpm)		50 or 200 m ³ /h* (220 or 880 gpm)*	
Reject water volume per flush cycle	420 liter (111 gallon)	500 liter (132 gallon)	1,680 liter (444 gallon)	2,000 liter (528 gallon)
Flushing cycle time	30 seconds	36 seconds	30 or 120 seconds*	36 or 144 seconds*
Exhaust valve	3" (80 mm)		4 units of 3" (4 units of 80 mm)	
Flushing criteria	Differential pressure of 0.5 bar (7 psi), time intervals and manual operation			

* One-by-one or all four screens simultaneously.

Screen Data

Filtration area	10,000 cm ² (1,500 in ²)	15,000 cm ² (2,325 in ²)	40,000 cm ² (6,200 in ²)	60,000 cm ² (9,300 in ²)
Screen type	Multi layers weavewire Stainless Steel 316L			

Control and Electricity

Rated operation voltage	3 phase, 220/380/440 VAC 50/60 Hz			
Electric motor 20/24 Gear output RPM	½ HP		4 x ½ HP	
Current consumption	1.5 Amp		5 Amp	
Control voltage	24 VAC			

Construction Materials*

Filter housing and lid	Carbon steel phenolic epoxy coated			
Cleaning mechanism	Stainless Steel 316L, acetal			
Exhaust valve	Epoxy-coated cast iron, natural rubber			
Seals	Synthetic rubber, teflon			
Control	Aluminum, brass, Stainless Steel, PVC, nylon			

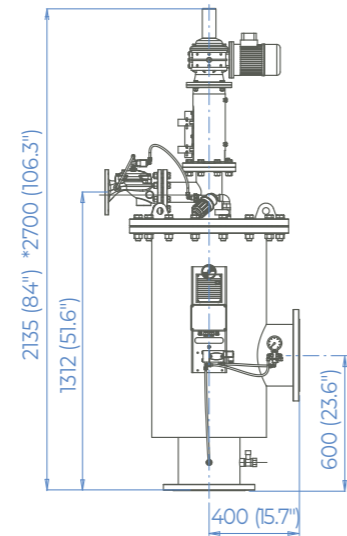
* Amiad offers a variety of construction materials and screens. Please consult us for specifications.

EBS Models

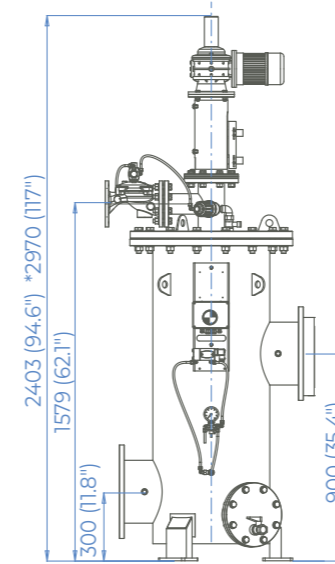
EBS 10000



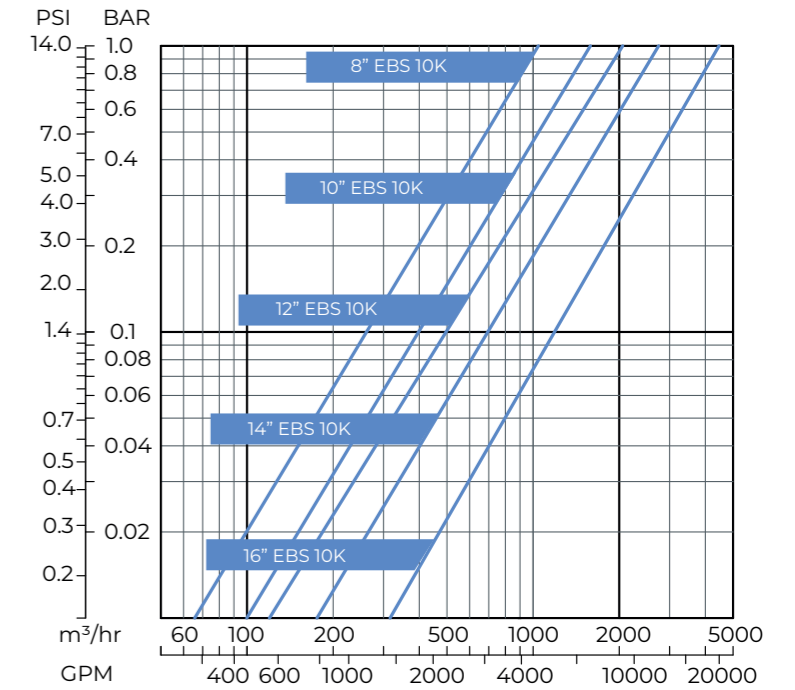
EBS 10000 | on-line



EBS 10000 | in-line



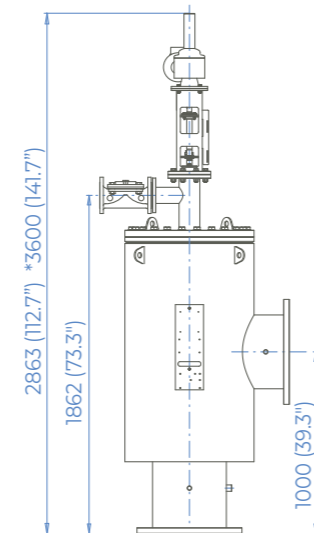
Head Loss Graph (in clean water)



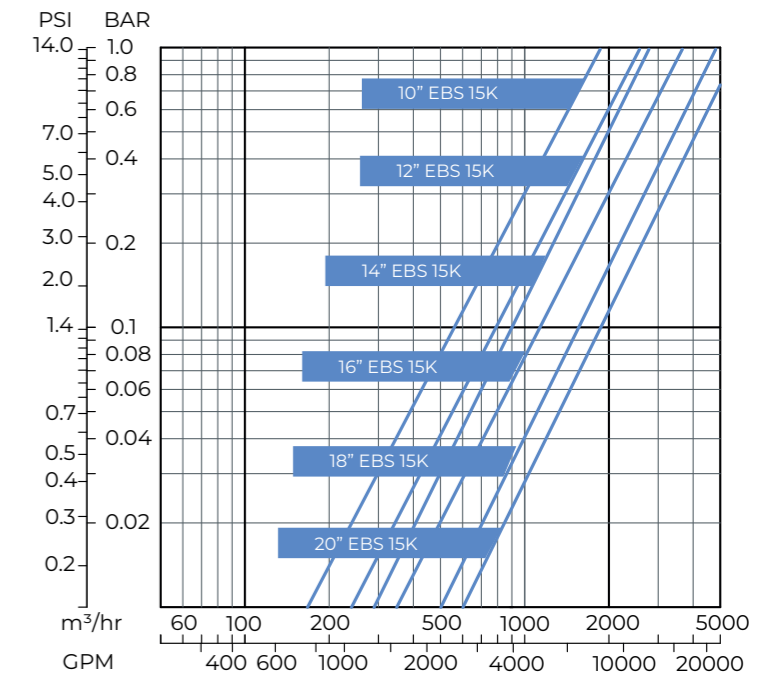
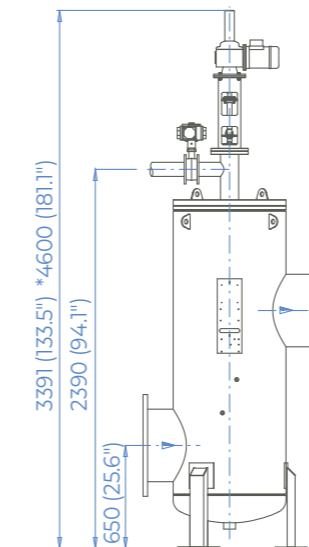
EBS 15000



EBS 15000 | on-line



EBS 15000 | in-line



Dim: mm (inch)
*Approx. length required for maintenance

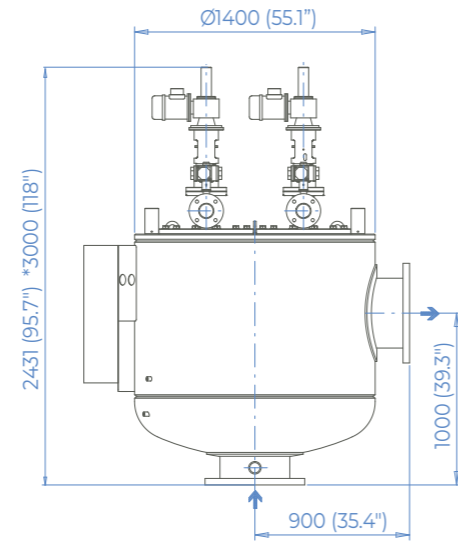
Dim: mm (inch)
*Approx. length required for maintenance

EBS Models

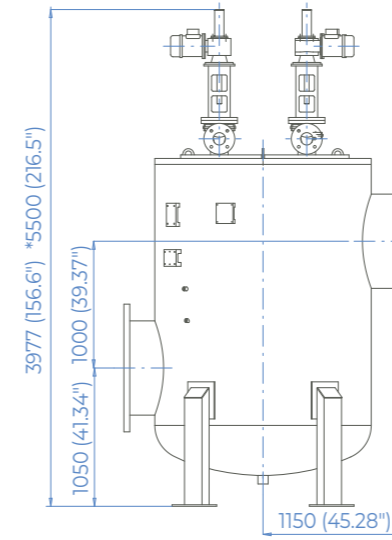
MEGA EBS 40000



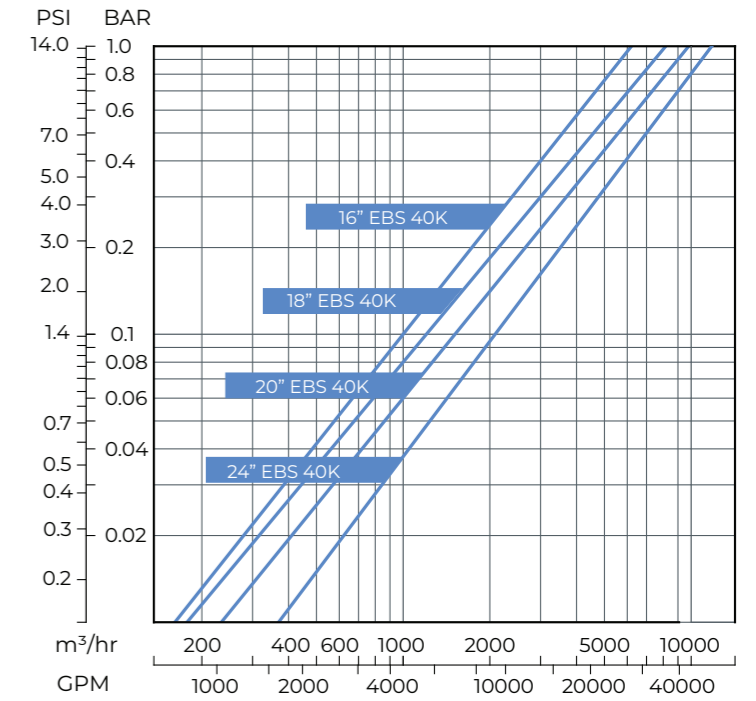
MEGA EBS 40000 | on-line



MEGA EBS 40000 | in-line



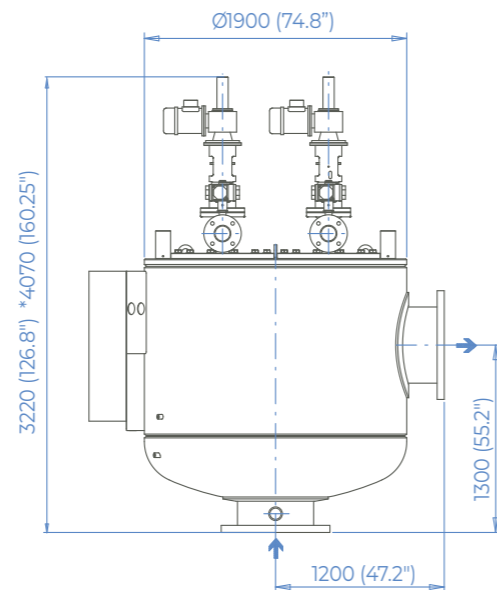
Head Loss Graph (in clean water)



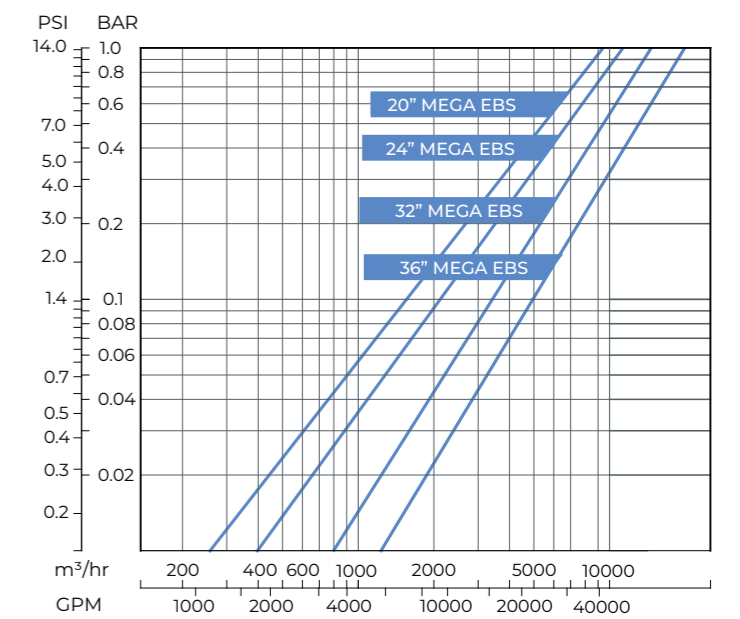
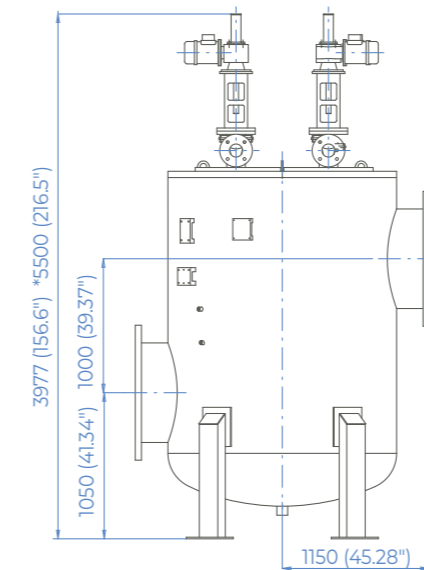
MEGA EBS 60000



MEGA EBS 60000 | on-line



MEGA EBS 60000 | in-line



Dim: mm (inch)

*Approx. length required for maintenance

Dim: mm (inch)

*Approx. length required for maintenance



Headquarters

Amiad Water Systems Ltd.

Web: www.amiad.com

E-mail: info@amiad.com

The Americas

USA

Amiad USA Inc.

Web: us.amiad.com | E-mail: infousa@amiad.com

Mexico

Amiad México SA DE CV,

Web: es.amiad.com | E-mail: infomexico@amiad.com

Asia

India

Amiad Filtration India Pvt Limited

Web: amiad.com | E-mail: info-india@amiad.com

China

Amiad China (Yixing Taixing Environtec Co., Ltd.)

Web: cn.amiad.com | E-mail: infochina@amiad.com

South-East Asia

Filtration & Control Systems Pte. Ltd.

Web: amiad.com | E-mail: info-singapore@amiad.com

Australia

Amiad Australia Pty Ltd.

Web: au.amiad.com | E-mail: sales@amiad.com

Europe

Amiad Water Systems Europe SAS

Web: amiad.com | E-mail: industry-europe@amiad.com

German branch office

Web: de.amiad.com | E-mail: industry-de@amiad.com

United Kingdom

Amiad Water Systems UK Limited

Web: amiad.com | E-mail: info-uk@amiad.com



 **amiad** INDUSTRY

MASTERS OF FILTRATION

www.amiad.com

910101-000191/5.2022

Copyright © 2019 Amiad Water Systems Ltd. All rights reserved. The contents of this catalogue including without limitation all information and materials, images, illustrations, designs, icons, photographs, graphical presentations, designs, literary works, data, drawings, slogans, phrases, names, trademarks, titles and any other such materials that appear in this catalogue (collectively, the "Contents") are the sole property of Amiad Water Systems Ltd. ("Amiad"). Amiad has sole and exclusive right, title and interest in the Contents, including any intellectual property rights, whether registered or not, and all know-how contained or embodied therein. You may not reproduce, publish, transmit, distribute, display, modify, create derivative works from, sell or participate in any sale of, or exploit in any way, in whole or in part, any of the Contents or the catalogue. Any use of the catalogue or the Contents, other than for personal use, requires the advanced written permission of Amiad.