



**2" Spin Klin[™]
Compact**

Automatic Compact filter

MASTERS OF FILTRATION



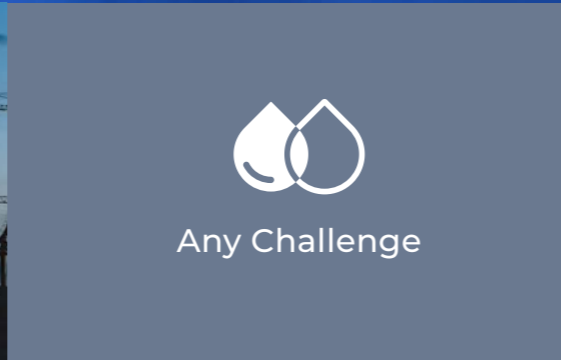
Any Technology



Anywhere



Any Challenge



Any Water Source



Your water challenge.
Our filtration solution.

Amiad Water Systems is a world leader in water treatment and filtration solutions. For over 57 years Amiad has devoted its passion and commitment to developing a comprehensive line of water filtration systems for a wide range of industrial applications.

Our solutions are integrated into the core of water filtration systems in the following industries and applications: metal, plastic, energy, chemical, water treatment and salt water disposal.

We develop filters that are able to cope with any water quality, in any geographical location.

We've spent years mastering filtration technology so we can offer a wide range of filters for every industrial need, including screen, disc, microfiber or media technology.



Disc Technology



Screen Technology



Media Technology



Microfiber Technology

We consider every challenge as an opportunity to work side by side with our customers to solve their problems.

We'll go anywhere to ensure our filters perform as expected, 24/7, every day of the year.

When you want a high-performance solution for your water filtration system, consult with Amiad. We focus on doing what we do best.

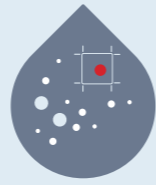
Amiad. Masters of Filtration.

2" SPIN KLIN™ COMPACT: Models

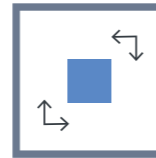
2" SPIN KLIN™ COMPACT FEATURES



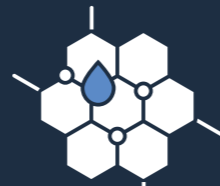
Minimal maintenance



Micron-precise depth filtration of solids



Compact design



Polymeric



Scan to watch the Spin Klin™ Operation Video



Construction materials	
Filter housing & lid	RPA (reinforced polyamide) or RPP (reinforced polypropylene)
Disc elements	PP (polypropylene) or PA (polyamide)
Backwash valves	RPA (reinforced polyamide) or RPP (reinforced polypropylene)
Manifolds	PP (polypropylene)
Seals	NBR or EPDM (viton optional)
Control tubing	PE or PA

Disc material type availability according to filtration degree:

10	20	40	55	70	100	130	200	400
PP	PP, PA	PP, PA	PP, PA	PP, PA	PP, PA	PP, PA	PP, PA	PP

PP = Polypropylene disc PA = Nylon disc

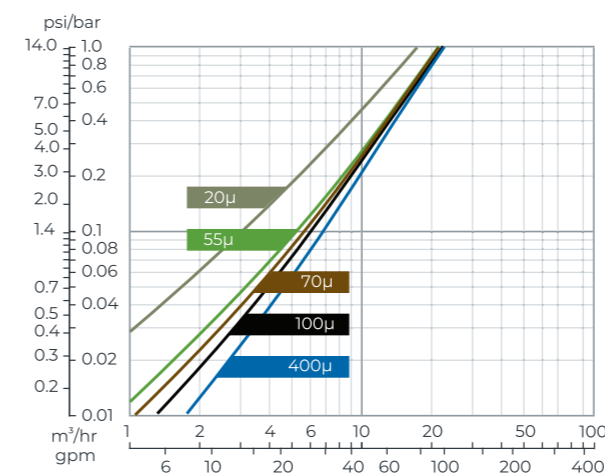
2" SPIN KLIN™ COMPACT

Technical Specifications

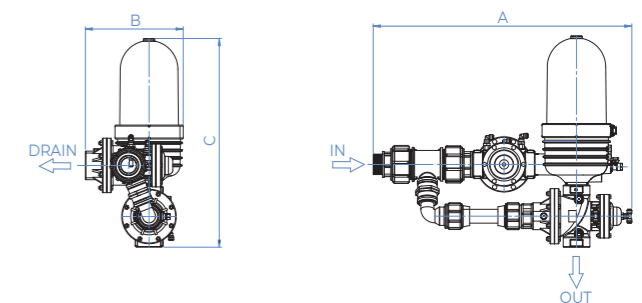
Filter Type	2" Compact	
General Data		
Max. working pressure*	10 bar (145 psi)	
Min. backwash pressure	2.8 bar (40.6 psi)	
Max. recommended flow rate	100μ	15 m³/h (88 gpm)
	55μ	10 m³/h (44 gpm)
Filtration volume	1,148 cm³ (70 in³)	
Filtration area	880 cm² (1,124 in²)	
Inlet/Outlet diameter	50 mm (2")	
Max. working temperature*	60°C (140°F)	
Dry weight	20 kg (44 lb)	
Backwash Data		
Drain size	50 mm (2")	
Flushing time	20 sec	
Minimum flow for backwash	10 m³/h (44 gpm)	

* Maximum operating pressure and temperature are interdependent parameters and are given for general reference only. Please consult your authorized Amiad representative for the application specific parameters.

Head Loss Graph (in clean water)



Typical Installation Drawing



Dimensions		1 unit battery
A	Length	749 mm (29 1/2")
B	Width	287 mm (11 5/16")
C	Height	612 mm (24 3/32")

2" SPIN KLIN™ COMPACT: Models



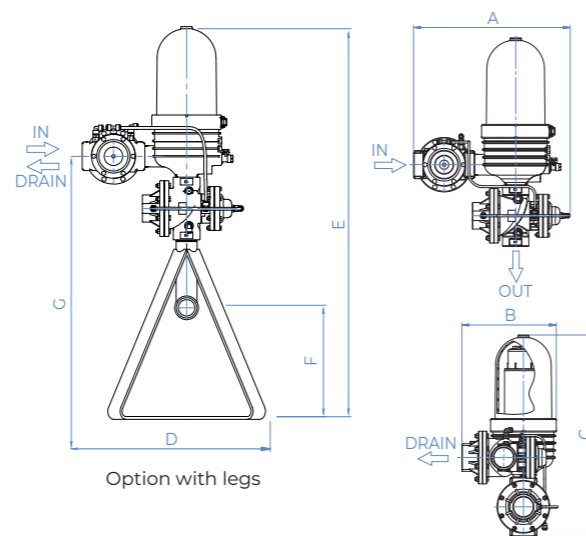
2" SPIN KLIN™ COMPACT External Source Technical Specifications

Filter Type		2" Compact EX.S.	
General Data			
Max. working pressure*		10 bar (145 psi)	
Min. backwash pressure		2.8 bar (40.6 psi)	
Max. recommended flow rate	100µ	15 m³/h (88 gpm)	
	55µ	10 m³/h (44 gpm)	
Filtration volume		1,148 cm³ (70 in³)	
Filtration area		880 cm² (1,124 in²)	
Inlet/Outlet diameter		50 mm (2")	
Max. working temperature*		60°C (140°F)	
Dry weight		20 kg (44 lb)	
Backwash Data			
Drain size		50 mm (2")	
Flushing time		20 sec	
Min. flow for backwash		10 m³/h (44 gpm)	

* Maximum operating pressure and temperature are interdependent parameters and are given for general reference only. Please consult your authorized Amiad representative for the application specific parameters.

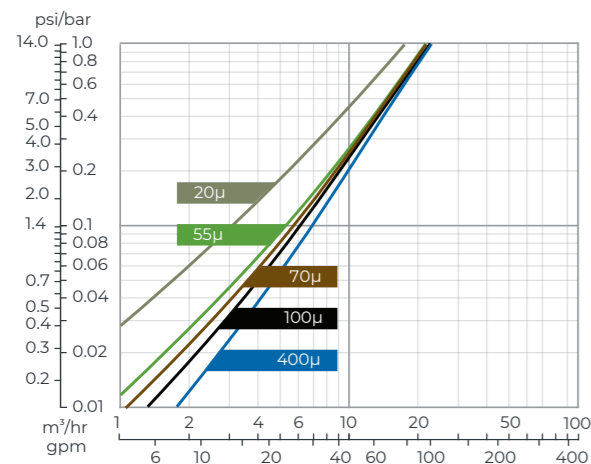


Typical Installation Drawing



Dimensions		1 unit battery
A	Length	460 mm (18.1")
B	Width	287 mm (11.3")
C	Height	612 mm (24")
D	Width	526 mm (20.7")
E	Height	1,127 mm (44.3")
F	Height	320 mm (12.6")
G	Height	755 mm (29.7")

Head Loss Graph (in clean water)



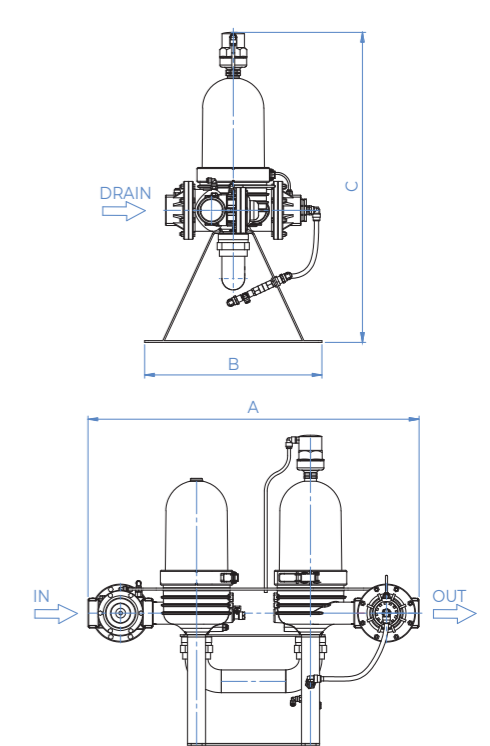
2" SPIN KLIN™ COMPACT Air-Aided Technical Specifications

Filter Type		2" Compact Air-Aided	
General Data			
Max. working pressure*		10 bar (145 psi)	
Min. backwash pressure		2.8 bar (40.6 psi)	
Max. recommended flow rate	100µ	15 m³/h (88 gpm)	
	55µ	10 m³/h (44 gpm)	
Filtration volume		1,148 cm³ (70 in³)	
Filtration area		880 cm² (1,124 in²)	
Inlet/Outlet diameter		50 mm (2")	
Max. working temperature*		60°C (140°F)	
Dry weight		33.5 kg (73.7 lb)	
Backwash Data			
Drain size		50 mm (2")	
Flushing time		8 sec	

* Maximum operating pressure and temperature are interdependent parameters and are given for general reference only. Please consult your authorized Amiad representative for the application specific parameters.

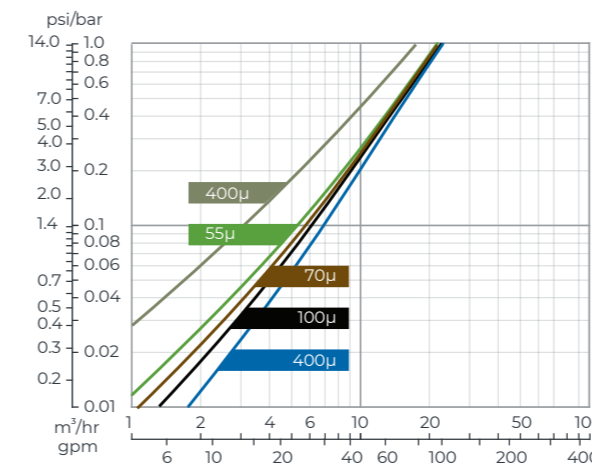


Typical Installation Drawing



Dimensions		1 unit battery
A	Length	915 mm (36 1/32")
B	Width	490 mm (19 9/32")
C	Height	857 mm (33 3/4")

Head Loss Graph (in clean water)





Headquarters

Amiad Water Systems Ltd.

Web: www.amiad.com

E-mail: info@amiad.com

The Americas

USA

Amiad USA Inc.

Web: us.amiad.com | E-mail: infousa@amiad.com

Mexico

Amiad México SA DE CV,

Web: es.amiad.com | E-mail: infomexico@amiad.com

Asia

India

Amiad Filtration India Pvt Limited

Web: amiad.com | E-mail: info-india@amiad.com

China

Amiad China (Yixing Taixing Environtec Co., Ltd.)

Web: cn.amiad.com | E-mail: infochina@amiad.com

South-East Asia

Filtration & Control Systems Pte. Ltd.

Web: amiad.com | E-mail: info-singapore@amiad.com

Australia

Amiad Australia Pty Ltd.

Web: au.amiad.com | E-mail: sales@amiad.com

Europe

Amiad Water Systems Europe SAS

Web: amiad.com | E-mail: industry-europe@amiad.com

German branch office

Web: de.amiad.com | E-mail: industry-de@amiad.com

United Kingdom

Amiad Water Systems UK Limited

Web: amiad.com | E-mail: info-uk@amiad.com



 **amiad** INDUSTRY

MASTERS OF FILTRATION

www.amiad.com

910101-000561 /05.2022

Copyright © 2019 Amiad Water Systems Ltd. All rights reserved. The contents of this catalogue including without limitation all information and materials, images, illustrations, designs, icons, photographs, graphical presentations, designs, literary works, data, drawings, slogans, phrases, names, trademarks, titles and any other such materials that appear in this catalogue (collectively, the "Contents") are the sole property of Amiad Water Systems Ltd. ("Amiad"). Amiad has sole and exclusive right, title and interest in the Contents, including any intellectual property rights, whether registered or not, and all know-how contained or embodied therein. You may not reproduce, publish, transmit, distribute, display, modify, create derivative works from, sell or participate in any sale of, or exploit in any way, in whole or in part, any of the Contents or the catalogue. Any use of the catalogue or the Contents, other than for personal use, requires the advanced written permission of Amiad.