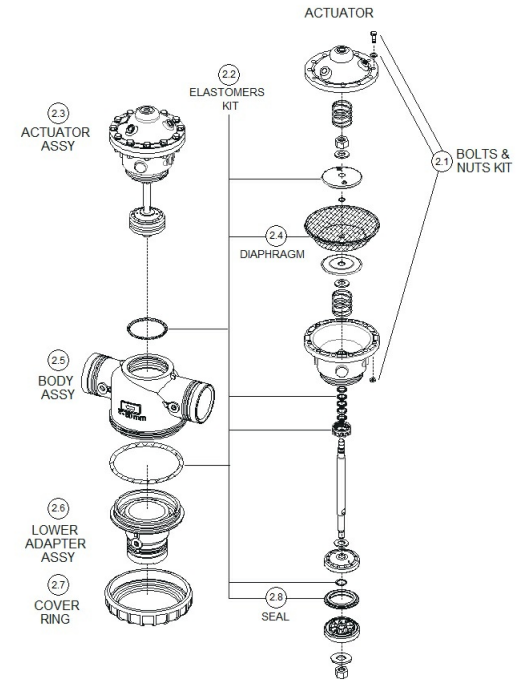
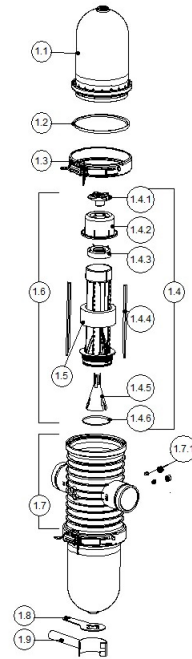
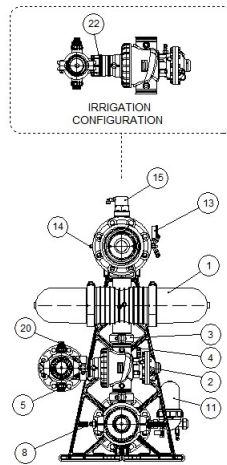
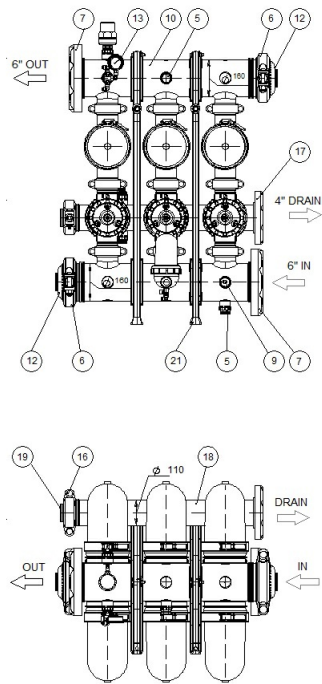


3" Spin Klin



3" Spin Klin

Pos.	Part No.	Description	Qty
1	600001-xxxxxx	3" SK RPA GRV PP	3
1.1	710103-004798	COVER 2"-3" FILTER RPP DW	2
1.1	710103-005233	COVER 2"-3" FILTER RPA BLACK	2
1.1	710103-010675	TRANSPARENT COVER 2"-3" SK PC	2
1.2	770104-000001	HYDRAULIC SEAL 2"-3" VITON 70 SHRE	2
1.2	770104-000248	HYDRAULIC SEAL 2"-3" EPDM	2
1.2	770104-000251	HYDRAULIC SEAL 2" NBR 70 SHORE	2
1.3	760108-000002	FILTER CLAMP 2"-3" S/ST304	2
1.4	700101-002255	SPINE ASSEMBLY MODEL 2.8 2-3" SK RPA	2
1.4	700101-002256	SPINE ASSEMBLY MODEL 2.8 2-3" SK RPA LCE	2
1.4	700101-002257	SPINE ASSEMBLY MODEL 2.8 2-3" SK RPP EPDM SEALS DW	2
1.4	700101-002258	SPINE ASSEMBLY MODEL 2.8 2-3" SK RPA AW	2
1.4	700101-002259	SPINE ASSEMBLY MODEL 2.8 2-3" SK RPA SW	2
1.4.1	710101-000435	2"SK BUTTERFLY NUT RPA BLACK	2
1.4.2	710101-000106	2"SK SPINE TIGHTENING CYLINDER RPA BLACK	2
1.4.3	710101-000436	SK SPINE PISTON HDPE NATURAL DW	2
1.4.4	760109-000045	ANTI FRICTION S/ST316 F/SK DW	6
1.4.4	760109-000467	ANTI FRICTION SUPER DUPLEX F/2.7SK DW	6
1.4.5	770104-000065	CONE MEMBRANE NATURAL 65 SHORE 2"SPIN KLIN (2.7 SPINE)	2
1.4.5	770104-000372	CONE MEMBRANE NATURAL 65 SHORE 2.8 2"SPIN KLIN	2

3" Spin Klin

Pos.	Part No.	Description	Qty
1.4.5	770104-000375	CONE MEMBRANE EPDM 70 SHORE 2.7SPIN KLIN DW	2
1.4.5	770104-000384	CONE MEMBRANE NATURAL 65 SHORE LCE 2.8 SPINE SK	2
1.4.6	770102-000034	PARKER O-RING 2-237 EPDM 70 SHORE YELLOW DOT	2
1.5	700101-000269	DISC SET PP 10MIC 2-3-4-6" SK	2
1.5	700101-001176	DISC SET PP 130MIC 2-3-4-6" SK DW	2
1.5	700101-001177	DISC SET PP 100MIC 2-3-4-6" SK DW	2
1.5	700101-001182	DISC SET PP 20MIC 2-3-4-6" SK DW	2
1.5	700101-001183	DISC SET PP 55MIC 2-3-4-6" SK DW	2
1.5	700101-001184	DISC SET PP 70MIC 2-3-4-6" SK DW	2
1.5	700101-001187	DISC SET PP 400MIC 2-3-4-6" SK DW	2
1.5	700101-001188	DISC SET PP 200MIC 2-3-4-6" SK DW	2
1.5	700101-001189	DISC SET PP 40MIC 2-3-4-6" SK DW	2
1.6	700101-002260	DISC ELEMENT PP 400MIC 2-3" SK RPA	2
1.6	700101-002261	DISC ELEMENT PP 70MIC 2-3" SK RPA	2
1.6	700101-002262	DISC ELEMENT PP 200MIC 2-3" SK RPA	2
1.6	700101-002263	DISC ELEMENT PP 100MIC 2-3" SK RPA	2
1.6	700101-002264	DISC ELEMENT PP 55MIC 2-3" SK RPA	2
1.6	700101-002265	DISC ELEMENT PP 40MIC 2-3" SK RPA	2
1.6	700101-002266	DISC ELEMENT PP 20MIC 2-3"SK RPA CLASSIC	2
1.6	700101-002267	DISC ELEMENT PP 130MIC 2-3" SK RPA	2

3" Spin Klin

Pos.	Part No.	Description	Qty
1.6	700101-002377	DISC ELEMENT PP 10MIC 2-3" SK RPA	2
1.7	700190-001156	3" SK GRV BODY COMPLEX ASSY	1
1.7.1	700190-001305	PRESSURE CHECK POINT ASSEMBLY	1
1.8	760109-000055	WRENCH GALVANIZED F/BUTTERFLY NUT	1
1.9	760109-000131	WRENCH GALVANIZED F/SK	1
2	730102-000133	ANGLE FLOW 3X3 350 GROOVED RPA BLACK AGRESSIVE WATER BERMAD	3
2	730102-000134	ANGLE FLOW 3X3 350 GROOVED RPA/DUPLEX BLACK BERMAD	3
2	730102-000176	ANGLE FLOW 3X3 350 GROOVED RPA BLACK BERMAD	3
2	730102-000179	STRAIGHT FLOW 3X3(2) 350 GROOVED/BSP RPA BLACK BERMAD	3
2	730102-000279	STRAIGHT FLOW 3X3(2) 350 GROOVED/BSP RPA BLACK BERMAD DW	3
2	730102-000289	ANGLE FLOW 3X3 350 GROOVED RPA BLACK BERMAD DW	3
2	730113-000405	STRAIGHT FLOW 3X3 AGRESSIVE WATER BERMAD	3
2	730113-000408	STRAIGHT FLOW 3X3 RPP/DUPLEX BERMAD	3
2.1	730113-000766	BOLTS-NUTS KIT F/3" 350 BERMAD	1
2.2	730113-000409	VALVE ASSY. F/3" STRAIGHT FLOW SUPER DUPLEX BERMAD SW	1
2.2	730113-000608	VALVE ASSY. F/3" STRAIGHT FLOW BERMAD	1
2.2	730113-000610	VALVE KIT F.3*3 BER.PL ANGLE FLOW VALVE	1
2.2	730113-000611	VALVE ASSY. F/3" STRAIGHT FLOW BERMAD WA	1
2.2	730113-000778	VALVE ASSY. F/3" ANGLE FLOW PLASTIC BERMAD WA	1
2.2	730113-000780	VALVE ASSY. F/3" ANGLE FLOW PLASTIC BERMAD WA-S.DUPLEX	1

3" Spin Klin

Pos.	Part No.	Description	Qty
2.2	730113-000812	ACTUATOR ASSY. F/3" STRAIGHT FLOW TYPE B PLASTIC BERMAD DW	1
2.2	730113-000863	ACTUATOR ASSY. F/3" ANGLE FLOW TYPE B PLASTIC BERMAD DW	1
2.3	730113-000767	SEALS + DIAPHRAGM KIT F/3" 350 BERMAD	1
2.3	730113-000814	SEALS + DIAPHRAGM KIT F/3" 350 BERMAD DW	1
2.4	730113-000538	DIAPHRAGM F/3" STRAIGHT FLOW BERMAD	1
2.5	730113-000396	BODY ASSY. F/3" VALVE PLASTIC BERMAD	1
2.5	730113-000776	BODY ASSY. F/3" 350 PLASTIC BERMAD WA	1
2.5	730113-000781	BODY ASSY. F/3" 350 PLASTIC BERMAD WA-S.DUPLEX	1
2.5	730113-000866	BODY ASSY. F/3" 350 BLACK PLASTIC BERMAD GRV DW	1
2.6	730113-000395	LOWER ADAPTOR F/3" STRAIGHT FLOW PLASTIC BERMAD	1
2.6	730113-000770	LOWER ADAPTOR F/3" 350 PLASTIC BERMAD GRV	1
2.6	730113-000777	LOWER ADAPTOR F/3" 350 PLASTIC BERMAD WA GRV/TRH	1
2.6	730113-000779	LOWER ADAPTOR F/3" 350 PLASTIC BERMAD WA GRV	1
2.6	730113-000782	LOWER ADAPTOR F/3" 350 PLASTIC BERMAD WA-S.DUPLEX GRV	1
2.6	730113-000783	LOWER ADAPTOR F/3" 350 PLASTIC BERMAD WA-S.DUPLEX GRV/TRH	1
2.6	730113-000864	LOWER ADAPTOR F/3" 350 BLACK PLASTIC BERMAD GRV DW	1
2.6	730113-000865	LOWER ADAPTOR F/3"/2" 350 BLACK PLASTIC BERMAD GRV/TRH DW	1
2.7	730113-000394	FIXING NUT F/3" STRAIGHT FLOW PLASTIC BERMAD	1
2.8	730113-000359	SEAL F/3"/2" VALVE BERMAD	1
2.8	730113-000816	SEAL F/3"/2" VALVE BERMAD DW	1

3" Spin Klin

Pos.	Part No.	Description	Qty
3	780102-000025	3" GRV CONNECTOR C/ST RED POLYESTER RAL3000	10
3	780102-000057	3" GRV CONNECTOR C/ST BLUE POLYESTER RAL5010 STYLE75 DW	12
4	720501-000007	L-CONNECTOR 1/8"M X8MM BSPT ACETAL BLACK JOHN-GUEST	3
5	700190-004893	1"PLUG TAVLIT ASSEMBLY WITH O-RING ID30 TH3MM EPDM	3
6	780102-000036	6" GRV CONNECTOR C/ST RED POLYESTER RAL3000	2
6	780102-000038	6" GRV CONNECTOR C/ST BLUE POLYESTER RAL5010	2
7	700190-000238	6" AKF UNIVERSAL ASSY	2
8	720501-000008	T-CONNECTOR 8MMX1/4"M X8MM BSPT ACETAL BLACK JOHN-GUEST	1
8	720501-000136	T-CONNECTOR 8MMX1/4"M X8MM BSPT RPP BLACK TEFEN	1
9	720501-000221	PLUG 1/4"M BSPT PA66 BLACK TEFEN	1
10	750101-004708	IN/OUT MANIFOLD PP BLACK 160MM 3X 3" SK GRV/GRV W/BUSHINGS	2
11	700190-000417	1" CONTROL FILTER ASSY.	1
11	700190-000420	1" CONTROL FILTER ASSY.	1
12	710101-000200	6" CAP GRV PP BLACK	2
13	700190-000351	PRESSURE GAUGE ASSEMBLY F/3" 8MM PL.J.G.	1
13	700190-003224	PRESSURE GAUGE ASSEMBLY F/3" 8MM TEF.	1
14	720501-000006	L-CONNECTOR 1/4"M X8MM BSPT ACETAL BLACK JOHN-GUEST	1
14	720501-000139	L-CONNECTOR 1/4"M X8MM BSPT ACETAL BLACK TEFEN	1
15	700190-000372	1"BARAK AIR REL.VAL.AS 8MM PL.J.G. ASSY	1
15	730108-000025	AIR RELEASE VALVE A.R.I BARAK 1" BSPT NYLON3 GREY 10BAR	1

3" Spin Klin

Pos.	Part No.	Description	Qty
16	780102-000055	4" GRV CONNECTOR C/ST BLUE POLYESTER RAL5010 STYLE75 DW	1
17	700190-000227	4" AKF UNIVERSAL ASSEMBLY	1
18	750101-004833	DRAIN MANIFOLD PP BLACK 90MM 3X 2" THR/F THR/GRV	1
18	750101-007535	DRAIN/EX.S.MANIFOLD PP BLACK 110MM 3X 3" SK GRV/GRV	1
19	710101-000165	CAP 3" PP GRV BLACK W/O R	1
19	710101-000433	CAP 4" PP GRV BLACK	1
20	700190-003406	1" VACUUM BREAKER (ARKAL/SIGMA) ASSEMBLY	1
21	700190-000231	ASSEMBLY PL.SUPPORT LEG F/160 MAN IWR	2
21	700190-000232	PL.SUPPORT LEG 304S/ST BOLTS FOR EXTR.160MAN. ASSY	2
22	700190-000195	ADAPTOR ASSY NUT+SEALS	3