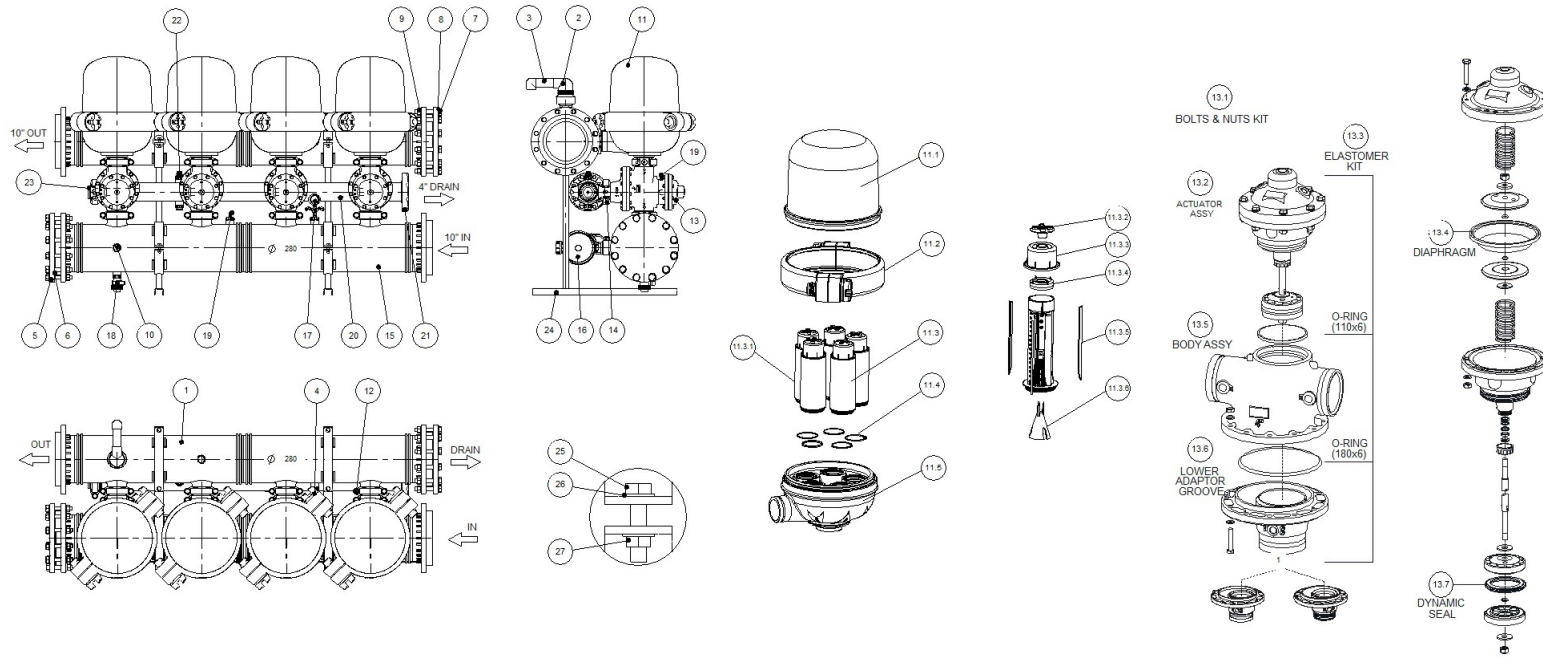


Galaxy



## Galaxy

Pos.	Part No.	Description	Qty
1	750101-007855	OUTLET MANIFOLD PP BLACK 280MM INJECTED 4X 4" GALAXY ASA W/BUSHINGS	1
2	730108-000040	AIR RELEASE VALVE A.R.I BARAK 2" BSPT RPP GREY 10BAR	1
3	730108-000046	EXTENSION FOR AIR RELEASE VALVE A.R.I 2" PP	1
4	720501-000008	T-CONNECTOR 8MMX1/4"M X8MM BSPT ACETAL BLACK JOHN-GUEST	1
5	740103-000038	BLIND FLANGE 10" ASA150 BLACK ST. 37-2	2
6	770103-000010	FLAT SEAL 10" NBR+CLOTH OD325MM ID255MM TH5MM 70 SHORE FOR PP WELDING ARKAL	2
7	760101-000144	HEX BOLT FULL THRD 7/8"UNC 140MM C/ST ASME B18.2.1 Z.PLATED	24
8	760103-000017	FLAT WASHER 7/8" ASME B18.22.1 C/ST ZINC PLATED	48
9	760102-000058	HEX NUT 7/8"UNC C/ST ZINC PLATED B18.2.2	24
10	700190-004893	1"PLUG TAVLIT ASSEMBLY WITH O-RING ID30 TH3MM EPDM	3
11	600004-XXXXXX	4" GALAXY PP GRV PP	1
11.1	710103-000371	COVER 4" GALAXY PP DW	0
11.2	700190-004133	CLAMP ASSEMBLY FOR 4"GALAXY/SIGMA	0
11.3	700101-000110	DISC ELEMENT PP 400MIC 2-3-4-6" SK	5
11.3	700101-000112	DISC ELEMENT PP 70MIC 2-3-4-6" SK	5
11.3	700101-000115	DISC ELEMENT PP 200MIC 2-3-4-6" SK	5
11.3	700101-000120	DISC ELEMENT PP 100MIC 2-3-4-6" SK	5
11.3	700101-000123	DISC ELEMENT PP 55MIC 2-3-4-6" SK	5
11.3	700101-000125	DISC ELEMENT PP 40MIC 2-3-4-6" SK	5
11.3	700101-000127	DISC ELEMENT PP 20MIC 2-3-4-6" SK	5

## Galaxy

Pos.	Part No.	Description	Qty
11.3	700101-002350	DISC ELEMENT PP 130MIC 4-6-10" SK	5
11.3	700101-002530	DISC ELEMENT PP 10MIC 4-6-10" SK	5
11.3.1	700101-000269	DISC SET PP 10MIC 2-3-4-6" SK	5
11.3.1	700101-001176	DISC SET PP 130MIC 2-3-4-6" SK DW	5
11.3.1	700101-001177	DISC SET PP 100MIC 2-3-4-6" SK DW	5
11.3.1	700101-001182	DISC SET PP 20MIC 2-3-4-6" SK DW	5
11.3.1	700101-001183	DISC SET PP 55MIC 2-3-4-6" SK DW	5
11.3.1	700101-001184	DISC SET PP 70MIC 2-3-4-6" SK DW	5
11.3.1	700101-001187	DISC SET PP 400MIC 2-3-4-6" SK DW	5
11.3.1	700101-001188	DISC SET PP 200MIC 2-3-4-6" SK DW	5
11.3.1	700101-001189	DISC SET PP 40MIC 2-3-4-6" SK DW	5
11.3.2	710101-000435	2"SK BUTTERFLY NUT RPA BLACK	1
11.3.3	710101-000106	2"SK SPINE TIGHTENING CYLINDER RPA BLACK	1
11.3.4	710101-000436	SK SPINE PISTON HDPE NATURAL DW	1
11.3.5	760109-000045	ANTI FRICTION S/ST316 F/SK DW	3
11.3.6	770104-000065	CONE MEMBRANE NATURAL 65 SHORE 2"SPIN KLIN (2.7 SPINE)	1
11.3.6	770104-000372	CONE MEMBRANE NATURAL 65 SHORE 2.8 2"SPIN KLIN	1
11.4	710101-000136	4" GALAXY SEAL LDPE RED DW	5
11.5	700190-000186	GALAXY PP FILTER BODY ASSEMBLY	1
12	780102-000055	4" GRV CONNECTOR C/ST BLUE POLYESTER RAL5010 STYLE75 DW	13

## Galaxy

Pos.	Part No.	Description	Qty
13	730102-000193	STRAIGHT FLOW 4X4 350 GROOVED/HAVAZELET RPA BLACK BERMAD	4
13	730102-000194	STRAIGHT FLOW 4X4 350 GROOVED RPA BLACK BERMAD	4
13	730102-000195	ANGLE FLOW 4X4 350 GROOVED RPA BLACK BERMAD	4
13	730102-000197	ANGLE FLOW 4X4 350 GROOVED RPA BLACK AGRESSIVE WATER BERMAD	4
13	730102-000199	STRAIGHT FLOW 4X4 350 GROOVED RPA BLACK AGRESSIVE WATER BERMAD	4
13	730102-000200	ANGLE FLOW 4X4 350 GROOVED RPA/DUPLEX BLACK SW BERMAD	4
13	730102-000202	STRAIGHT FLOW 4X4 350 GROOVED RPA/DUPLEX BLACK SW BERMAD	4
13	730102-000288	ANGLE FLOW 4X4 LONG 350 GROOVED RPA BLACK BERMAD DW	4
13	730102-000291	STRAIGHT FLOW 4X4 350 GROOVED RPA BLACK BERMAD DW	4
13.1	730113-000566	BOLTS-NUTS KIT F/4" VALVE PLASTIC BERMAD	1
13.2	730113-000574	ACTUATOR F/4" ANGLE FLOW BERMAD	1
13.2	730113-000575	ACTUATOR F/4" STRAGHT FLOW BERMAD	1
13.2	730113-000577	ACTUATOR F/4" BERMAD	1
13.2	730113-000578	ACTUATOR ASSY. F/4" STRAIGHT FLOW S/ST316	1
13.2	730113-000579	ACTUATOR ASSY. F/4" STRAIGHT FLOW SUPER DUPLEX	1
13.2	730113-000580	ACTUATOR ASSY. F/4" ANGLE FLOW SUPER DUPLEX	1
13.2	730113-000741	ACTUATOR ASSY. F/4" ANGLE FLOW BERMAD WA	1
13.2	730113-000874	ACTUATOR ASSY. F/4" ANGLE FLOW PLASTIC BERMAD DW	1
13.2	730113-000876	ACTUATOR ASSY. F/4" STRAIGHT FLOW PLASTIC BERMAD DW	1
13.3	730113-000570	SEALS + DIAPHRAGM KIT F/4" VALVE PLASTIC BERMAD	1

## Galaxy

Pos.	Part No.	Description	Qty
13.3	730113-000868	ELASTOMERS KIT F/4" 350 BERMAD DW	1
13.4	730113-000786	DIAPHRAGM F/4" BERMAD (350) NR	1
13.4	730113-000877	DIAPHRAGM F/4" 350 EPDM BERMAD DW	1
13.5	730113-000568	BODY ASSY. F/4" VALVE PLASTIC BERMAD	1
13.5	730113-000785	BODY ASSY. F/4" 350 BERMAD WA	1
13.5	730113-000879	BODY ASSY. F/4" 350 BLACK PLASTIC BERMAD GRV DW	1
13.6	730113-000569	ADAPTOR 4" HAVAZELET F/4" VALVE PLASTIC BERMAD	1
13.6	730113-000573	ADAPTOR GRV F/4" VALVE PLASTIC BERMAD	1
13.6	730113-000742	ADAPTOR F/4" W/S/ST316 SEAT	1
13.6	730113-000878	LOWER ADAPTOR F/4" 350 BLACK PLASTIC BERMAD LONG GRV DW	1
13.7	730113-000484	SEAL F/4" VALVE NBR BERMAD	1
13.7	730113-000880	SEAL F/4"/3" VALVE EPDM BERMAD DW	1
14	780102-000030	4"X3" GRV CONNECTOR C/ST BLUE POLYESTER RAL5010	4
15	750101-010383	INLET MANIFOLD PP BLACK 280MM INJECTED 4X 4" GALAXY ASA W/BUSHINGS	1
16	700190-000428	2"CONTROL FILTER ASSY.8MM PLJ.G.	1
17	700190-000339	PRESSURE GAUGE ASSEMBLY F/2" 8MM PLJ.G.	1
18	730104-000041	2-WAY BALL VALVE 1" M/F PVC GREY MANUAL PLASSON	1
19	720501-000006	L-CONNECTOR 1/4"M X8MM BSPT ACETAL BLACK JOHN-GUEST	5
20	750101-006051	DRAIN MANIFOLD PP BLACK 110MM 4X 3"GRV GRV/GRV	1
21	700190-000227	4" AKF UNIVERSAL ASSEMBLY	1

---

---

Galaxy

Pos.	Part No.	Description	Qty
22	700190-003406	1" VACUUM BREAKER (ARKAL/SIGMA) ASSEMBLY	1
23	710101-000433	CAP 4" PP GRV BLACK	1
24	760110-000718	SET LEGS SUPPORT COATED ST/BLACK 296X296 F/4"GALAXY	2
25	760101-000189	HEX BOLT FULL THRD M12 50MM S/ST304 DIN933	8
26	760103-000060	FLAT WASHER M12 BN84542 S/ST304 OD32MM THK2.5MM	16
27	760102-000038	HEX NUT M12 S/ST304 DIN934	8