



AGFPRO

Advanced corrosion-proof
all polymeric media filter

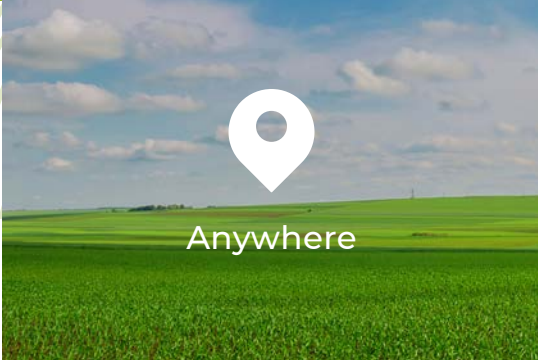
MASTERS OF FILTRATION



Any Crop



Anywhere



Any Water Source



Any Technology



**Farming is
our heritage.**
**Filtration is our
legacy.**

At Amiad, our roots are in the land. As farmers, we learned at firsthand what our crops need to thrive. We understand that every water source is different, and how water quality can greatly affect crop yield.

The filter is the first vital link in the irrigation chain. It's there to protect irrigation systems from damage, while delivering the best quality water.

We develop filters that are able to cope with any water quality, in any geographical location.

We've spent years mastering filtration technology so we can offer a wide range of filters for every farmer's needs including screen, disc or media technology. Our fully automated filtration systems save time, manpower and costs.



Disc
Technology



Screen
Technology



Media
Technology

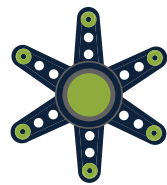
We consider every challenge as an opportunity to work side by side with our customers to solve their problems. We'll go anywhere to ensure our filters perform as expected, 24/7, every day of the year.

When you want a high performance filter for your irrigation system, consult with Amiad. We focus on doing what we do best.

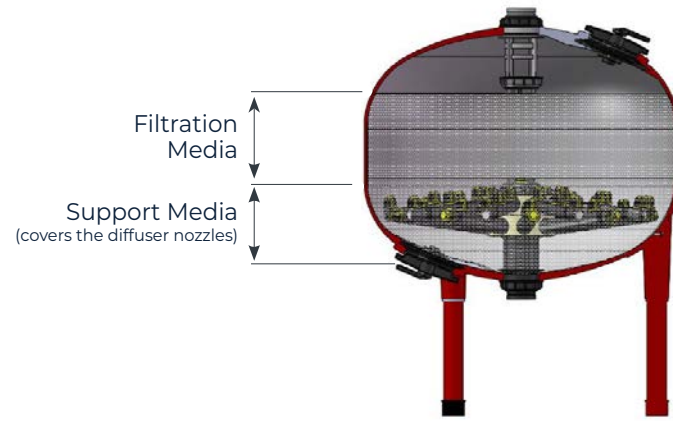
Amiad. Masters of Filtration.

AGFPRO: Strong and Reliable.

AGFPRO FEATURES



Superior underdrain system designed with 55 diffuser nozzles



Light weight for easy installation, no crane required



Two large elliptical access ports for easy inspection and media loading



Constructed with special synthetic materials

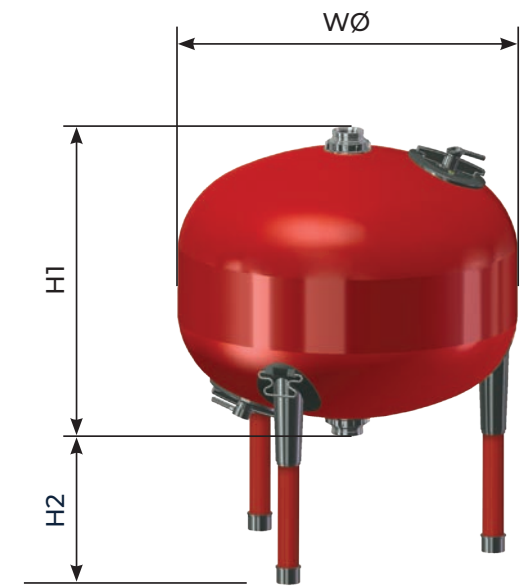
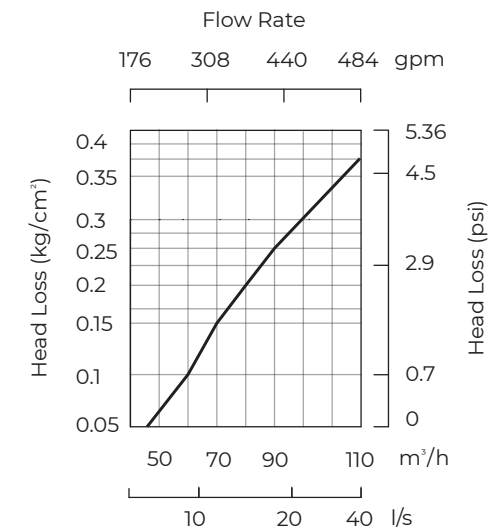


Effective and economic backwash



Corrosion-proof and high chemical resistance

AGF PRO Filter 48" Head Loss



Technical Data

Maximum pressure	85 psi (6 bar)
Minimum pressure during filtration mode	20 psi (1.4 bar)
Minimum pressure on the downstream side during backwash mode	29 psi (2 bar)
Maximum filtration flow* (single filter)	352 gpm (80 m³/h)
Diameter inlet/outlet (single filter)	4" grooved (102 mm)
Filter tank diameter - WØ	48" (1,220 mm)
Distance between end connections - H1	44" (1,110 mm)
Outlet height - H2	17" (443 mm)
Weight [empty]	290 lb (132 kg)
Approx. media weight	1610 lb (732 kg)

*Depending on type of media used

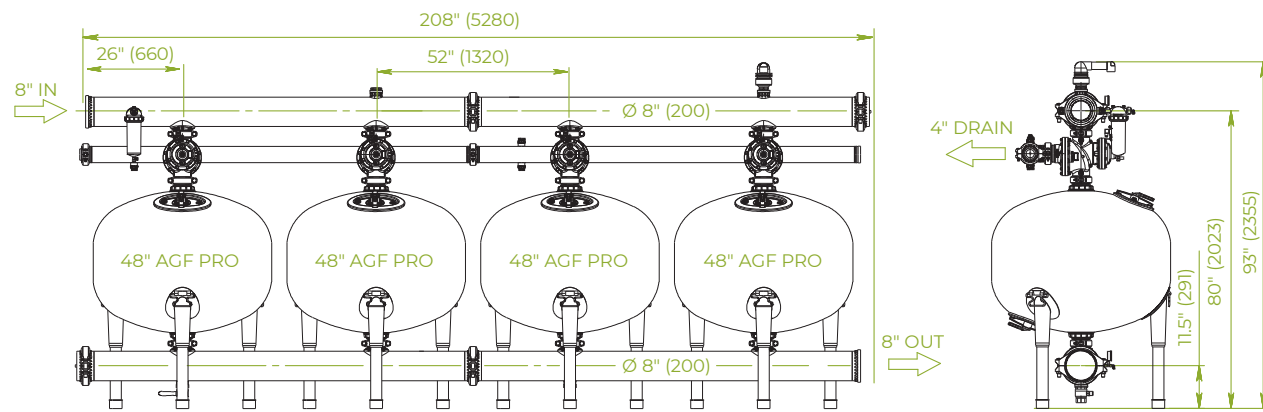
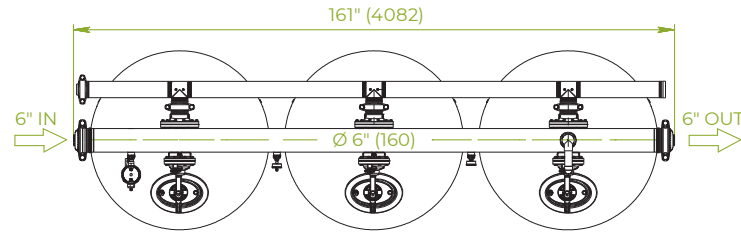
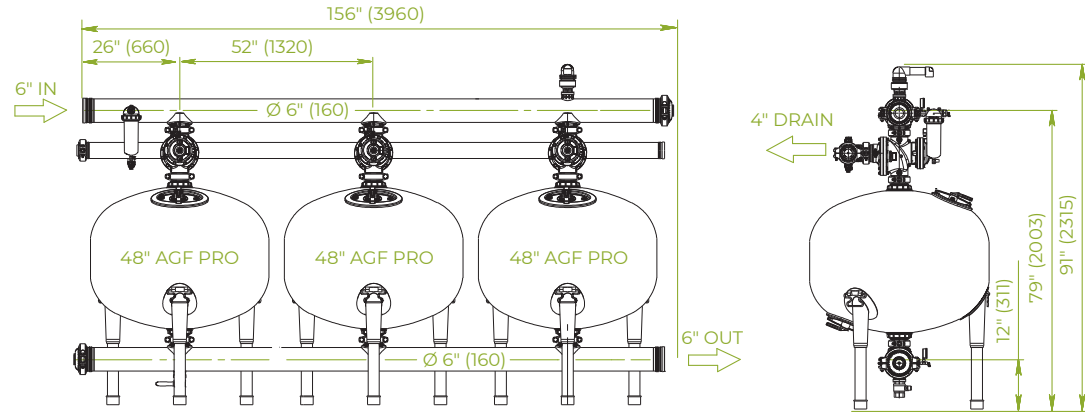
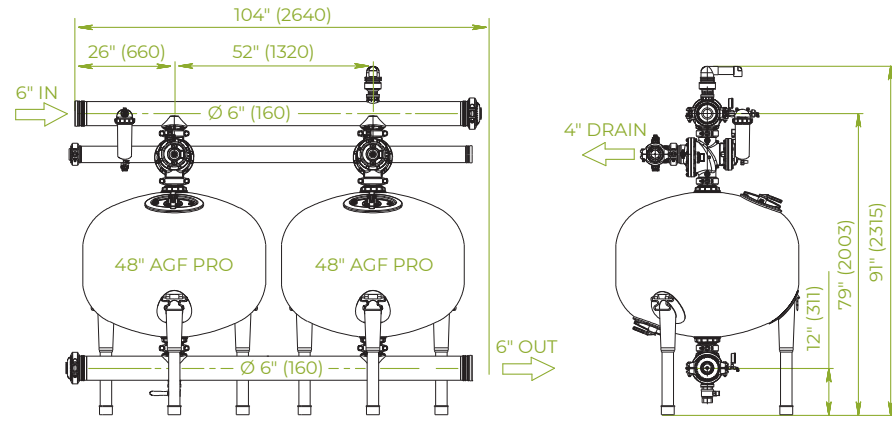
Filtration Media Data

Media type	Mean effective media size	Filtration Rates**	Min. flow for backwash
Quarz 0*	0.019"-0.031" (0.5-0.8 mm)	35-75 gpm (8-17m³/h)	185 gpm (42 m³/h)
Quarz 1*	0.031"-0.047" (0.8-1.2 mm)	44-110 gpm (10-25 m³/h)	185 gpm (42 m³/h)
PEP active 0*	0.0098"-0.019" (0.25-0.5 mm)	-	176 gpm (40 m³/h)
PEP active 1*	0.015"-0.039" (0.4-1.0 mm)	44-88 gpm (10-20 m³/h)	176 gpm (40 m³/h)
Quarz 2	0.047"-0.078" (1.2-2.0 mm)	220-352 gpm (50-80 m³/h)	202 gpm (46 m³/h)
Basalt 1	0.039"-0.098" (1.0-2.5 mm)	220-352 gpm (50-80 m³/h)	238 gpm (54 m³/h)
Basalt 2	0.067"-0.138" (1.7-3.5 mm)	-	238 gpm (54 m³/h)
Crushed silica 12	0.043"-0.047" (1.1-1.2 mm)	220-352 gpm (50-80 m³/h)	238 gpm (54 m³/h)
Crushed silica 16*	0.023"-0.275" (0.6-0.7 mm)	35-75 gpm (8-17 m³/h)	202 gpm (46 m³/h)
Crushed silica 20*	0.017"-0.019" (0.45-0.5 mm)	-	185 gpm (42 m³/h)

*Requires Quartz 2 as a support layer

** Consult Amiad for optimum flow depending on filtration degree and water quality.

Dimensions and technical specifications



Inch (mm)

AGF PRO Battery

No. of filters	2	3	4	5	6
Distance between filter connections	52" (1,320 mm)				
Distance between inlet manifold and filter #1	26" (660 mm)				
Backwash pipe diameter	4" (110 mm)				
Backwash valve outlet	4" grooved x 4" grooved				
Backwash center height	65" (1,660 mm)				
Inlet center height	78.84" (2,003 mm)	79.62" (2,023 mm)	Depends on configuration		
Outlet manifold center height	12.22" (310 mm)	11.44" (291 mm)	Depends on configuration		
Length	103.9" (2,639 mm)	155.9" (3,960 mm)	207.8" (5,280 mm)	Depends on configuration	

Flow Rates and Media Requirements

No. of Filter Tanks	Maximum Flow			Media Requirements	
	Clean Water	Average Water	Dirty Water	Support media	Filtration Media
1 (inline)	286-352 gpm (65-80 m ³ /h)	220-286 gpm (50-65 m ³ /h)	176-220 gpm (40-50 m ³ /h)	5 ft ³ (0.15 m ³)	14 ft ³ (0.4 m ³)
2 (inline)	572-700 gpm (130-160 m ³ /h)	440-572 gpm (100-130 m ³ /h)	352-440 gpm (80-100 m ³ /h)	11 ft ³ (0.30 m ³)	28 ft ³ (0.8 m ³)
3 (inline)	859-1,057 gpm (195-240 m ³ /h)	660-859 gpm (150-195 m ³ /h)	528-660 gpm (120-150 m ³ /h)	16 ft ³ (0.45 m ³)	42 ft ³ (1.2 m ³)
4 (inline)	1,145-1,409 gpm (260-320 m ³ /h)	880-1,145 gpm (200-260 m ³ /h)	704-880 gpm (160-200 m ³ /h)	21 ft ³ (0.60 m ³)	46 ft ³ (1.6 m ³)
5	1,431-1,761 gpm (325-400 m ³ /hr)	1,101-1,431 gpm (250-325 m ³ /h)	880-1,101 gpm (200-250 m ³ /h)	26 ft ³ (0.75 m ³)	71 ft ³ (2.0 m ³)
6	1,717-2,113 gpm (390-480 m ³ /h)	1,321-1,717 gpm (300-390 m ³ /h)	1,057-1,321 gpm (240-300 m ³ /h)	31.8 ft ³ (0.90 m ³)	85 ft ³ (2.4 m ³)
7	2,003-2,466 gpm (455-560 m ³ /h)	1,541-2,003 gpm (350-455 m ³ /h)	1,233-1,541 gpm (280-350 m ³ /h)	37 ft ³ (1.05 m ³)	99 ft ³ (2.8 m ³)
8	2,289-2,818 gpm (520-640 m ³ /h)	1,761-2,289 gpm (400-520 m ³ /h)	1,409-1,761 gpm (320-400 m ³ /h)	42 ft ³ (1.20 m ³)	113 ft ³ (3.2 m ³)
9	2,576-3,170 gpm (585-720 m ³ /h)	1,981-2,576 gpm (450-585 m ³ /h)	1,585-1,981 gpm (360-450 m ³ /h)	47.7 ft ³ (1.35 m ³)	127 ft ³ (3.6 m ³)
10	2,862-3,522 gpm (650-800 m ³ /h)	2,201-2,862 gpm (500-650 m ³ /h)	1,761-2,201 gpm (400-500 m ³ /h)	53.0 ft ³ (1.50 m ³)	141 ft ³ (4.0 m ³)
12	3,434-4,227 gpm (780-960 m ³ /h)	2,642-3,434 gpm (600-780 m ³ /h)	1,937-2,422 gpm (440-550 m ³ /h)	58 ft ³ (1.65 m ³)	155 ft ³ (4.4 m ³)



Headquarters

Amiad Water Systems Ltd.

Web: www.amiad.com

E-mail: info@amiad.com

The Americas

USA

Amiad USA Inc.

Web: www.amiadusa.com | E-mail: infousa@amiad.com

Mexico

Amiad México SA DE CV,

Web: www.amiad.es | E-mail: infomexico@amiad.com

Irrigation office: E-mail: infomexico-irr@amiad.com

Asia

India

Amiad Filtration India Pvt Limited

Web: www.amiadindia.com | E-mail: info-india@amiad.com

China

Amiad China (Yixing Taixing Environtec Co., Ltd.)

Web: www.amiad.com.cn | E-mail: infochina@amiad.com

South-East Asia

Filtration & Control Systems Pte. Ltd.

E-mail: info-singapore@amiad.com

Australia

Amiad Australia Pty Ltd.

Web: www.amiad.com.au | E-mail: sales@amiad.com

Europe

Amiad Water Systems Europe SAS

E-mail: industry-europe@amiad.com

German branch office

E-mail: industry-de@amiad.com

United Kingdom

Amiad Water Systems UK Limited

E-mail: info-uk@amiad.com



 **amiad**® IRRIGATION

MASTERS OF FILTRATION

www.amiad.com

910101-001041/11.2021

Copyright © 2019 Amiad Water Systems Ltd. All rights reserved. The contents of this catalogue including without limitation all information and materials, images, illustrations, designs, icons, photographs, graphical presentations, designs, literary works, data, drawings, slogans, phrases, names, trademarks, titles and any other such materials that appear in this catalogue (collectively, the "Contents") are the sole property of Amiad Water Systems Ltd. ("Amiad"). Amiad has sole and exclusive right, title and interest in the Contents, including any intellectual property rights, whether registered or not, and all know-how contained or embodied therein. You may not reproduce, publish, transmit, distribute, display, modify, create derivative works from, sell or participate in any sale of, or exploit in any way, in whole or in part, any of the Contents or the catalogue. Any use of the catalogue or the Contents, other than for personal use, requires the advanced written permission of Amiad.