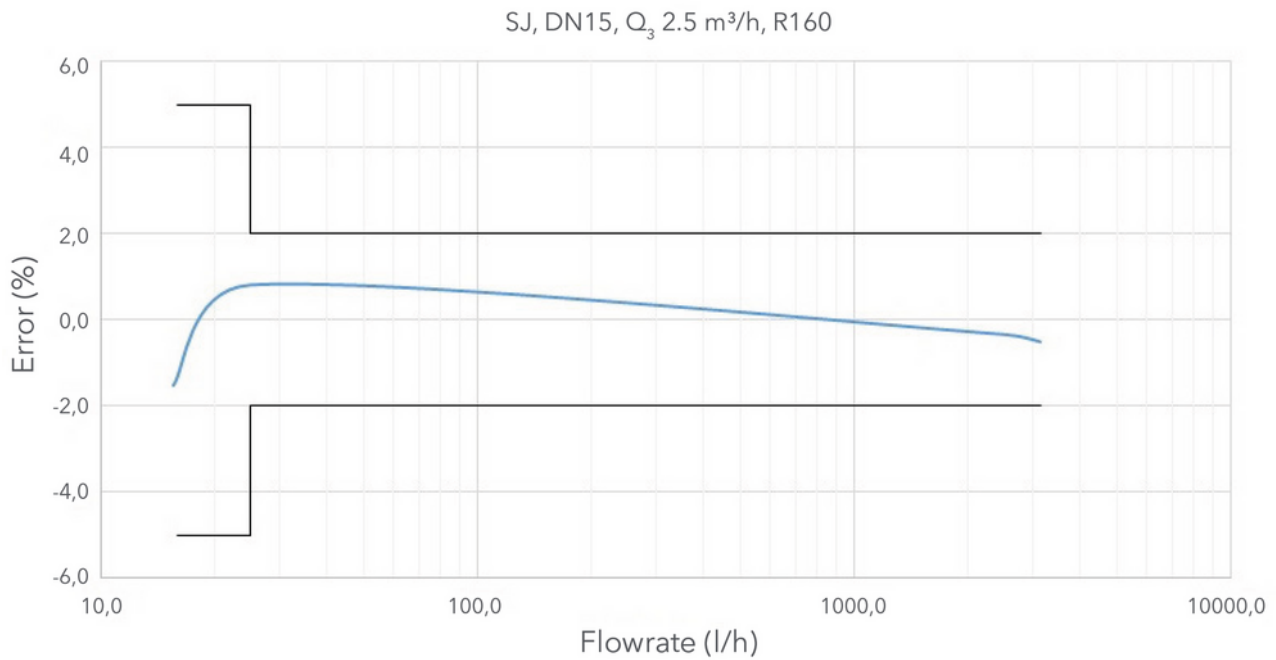
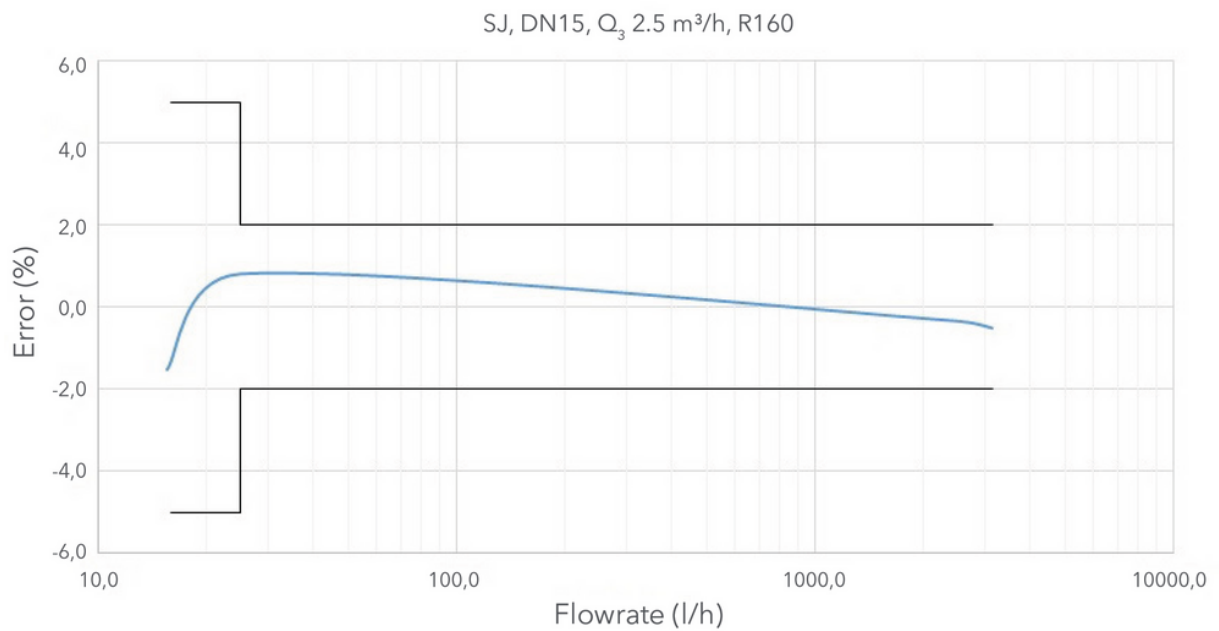




## Typical Accuracy Curve



## Typical Headloss Curve



## Hydraulic Performance

Size	DN	15	20
	inch	1/2	3/4
Module B Nr.		TCM 142/20 - 5700	
Module D Nr.		0119-SJ-A010-08	
Q3/Q1 = R Referred to installation position		H R80 V R63	

## MID standard Performance\*

Size	DN	15	20
Q3	m3/h	2.5	4
Q4	m3/h	3.125	5
R		80	
Q1	l/h	31.25	50
Q2	l/h	50	80

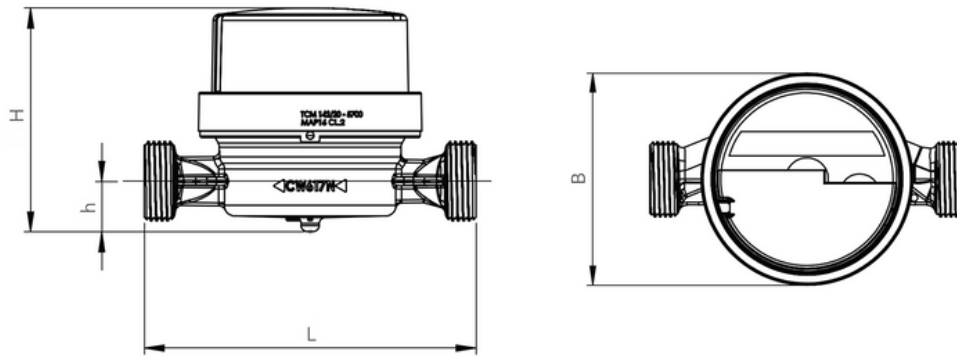
\* Other values of R up to R160 available upon request.

## Technical Data

Size	DN	15	20
Maximum permissible error between Q1 and Q2 (excluded)		±5%	
Maximum permissible error between Q1 and Q2 (excluded)		±2% with water temperature ≤ 30°C ±3% with water temperature > 30°C	
Temperature class		T30, T50, T30/90	
Flow profile sensitivity classes		U0 - D0	
Starting flow rate	l/h	6	8
Head loss		ΔP63	
Head loss at Q3	ΔP	0.63	
Protection class		IP68*	
Kvs value	m <sup>3</sup> /h	3.125	5
Nominal pressure	bar	16	
Maximum reading	m <sup>3</sup>	100,000	
Minimum reading	3	0.05	
Indicative weight	kg	0.35	0.45

\* test condition: Immersion tank, water-level on enclosure: 1 m, duration: 1 h

## Dimensions and Weight



Size	DN	15	20
Thread	inch	G 3/4 B	G 1 B
For pipe connection	inch	1/2	3/4
L	mm	80*/110/115	115/130
H	mm	74	
h	mm	11.7	16.7
B	mm	65	

## Communication Modules

Domo M



M-Bus

Domo R



M-Bus wireless OMS®

Domo P

