



3-WAY SOLENOID ACTUATOR

Model S-390T-3W

The BERMAD S-390T-3W is a compact 3-Way Solenoid, specially designed for reliable long life service in irrigation systems controlled by Continuous Current Controllers.

The BERMAD solenoid can control valves independently or in combination with other control circuit accessories.

Model S-390T-3W is compliant with all Continuous Current Controllers on the market. It excels in its low power consumption and low sensitivity to dirt and voltage variations. The hydraulic base features a three position TRIO manual override and includes a bracket for attaching to the valve or to a solenoid manifold.



Features and Benefits

- Advanced Construction Materials, Unique Plastic Casing
 - Proven pressure, voltage and weather resistance
 - Highly durable in corrosive environments
 - High mechanical strength
 - Protection Class - ip68; NEMA Type 6D
- Superb Internal Design and Finish
 - Reliable operation under dirt loaded water
 - Low sensitivity to voltage variations
- Low Power Consumption
 - Low coil heating and sediment damage
 - Saves wires and infrastructures costs
 - Suits all Continuous Current Controllers on the market
- Angled Plastic Base with Installation Bracket
 - High flow capacity quickens valve response
 - 3 position TRIO manual override (Open, Auto and Close)
 - Simple installation to valve or manifold
- Simple Installation, Operation and Maintenance
- Reliable and Durable Product that Bears the Stamp of BERMAD Quality

Applications

- Solenoid controlled on/off valves
- Solenoid controlled pressure and flow control valves
- Multiple valve systems
- Systems distanced from control center



Specifications

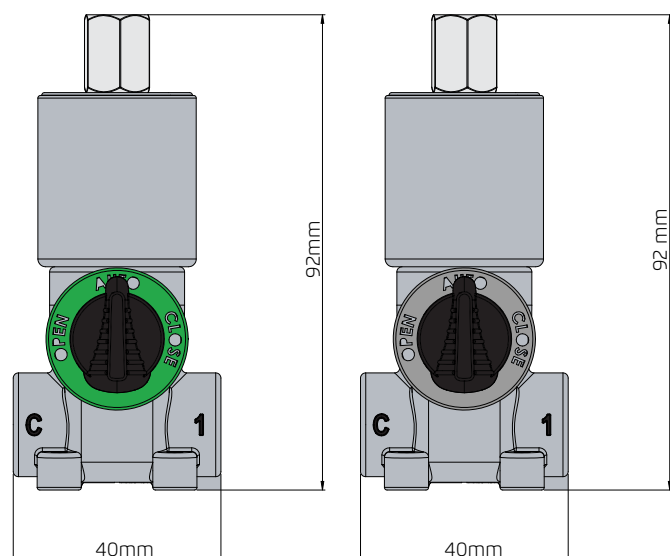
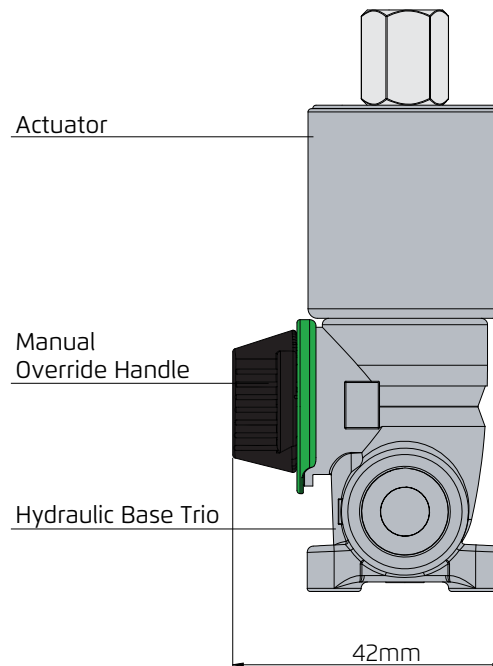
- Ports:**
 Actuator Port - (1/8" NPT) - Pressure (N.O.); Vent (N.C.)
 Base Port - 1 (1/4" NPT) - Vent (N.O.); Pressure (N.C.)
 Base Port - C (1/4" NPT) - Valve Control Chamber (Common)
- Solenoid to Base Connection:** 3/4"; 20 UNEF Male Threaded
- Base Flow Factor:** $K_v = 0.08 \text{ m}^3/\text{h} @ 1 \text{ bar DP}$
 $C_v = 0.09 \text{ GPM} @ 1 \text{ psi DP}$
- Leads:** 2 leads x 0.32 mm² x 80 cm
- Operating Pressure Range:** 0-10 bar
- Base Orifice Diameter:** 1.8 mm (N.O.) Green status Ring
- Base Orifice Diameter:** 1.6 mm (N.C.) Gray status Ring
- Actuator Orifice Diameter:** 1.6 mm

Materials:

- Actuator Casing:** Nylon
- Seals:** NBR
- Wetted parts:** Stainless steel 400 and polyamide
- Base:** Nylon

Electrical Data:

Actuator Type	Cable Color	Power (Watt)	Current (Amp)		Coil Resistance ohm@20°C; 68°F
			Inrush	Hold	
S-390T-3W-24VAC-R NO & NC	Red/Red	2.5	0.36	0.18	27.7
S-390T-3W-24VDC NO & NC	Black/Black	4.2	0.17	0.17	135
S-390T-3W-12VDC NO & NC	Blue/Blue	4.0	0.33	0.33	36



N.O.

N.C.

