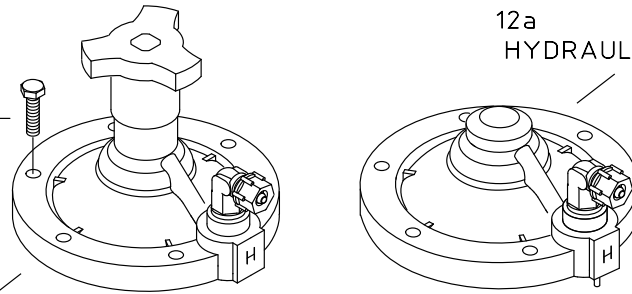


G & A Patterns Hydraulic Control Valves

Sizes: 1½-2"; DN40-50

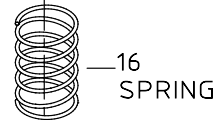
3 SCREW KIT

- COVER SCREW X6
- COVER NUT X6

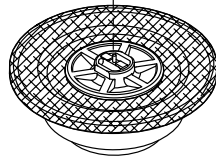


12 HYDRAULIC COVER ASSY. WITH FLOW STEM

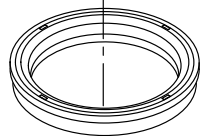
12a HYDRAULIC COVER ASSY.



16 SPRING

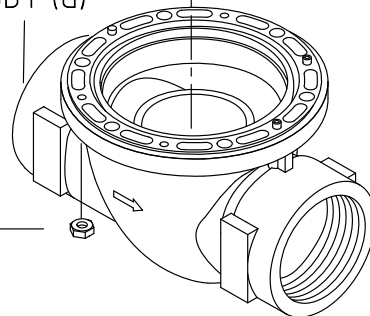


11 DIAPHRAGM & HYDRAULIC CLOSURE ASSY.



SUPPORT RING

* 1 GLOBE BODY (G)



OPTION

* 1a ANGLE BODY (A)

