

amiad[®]
ORIGINAL
SINCE 1962



MINISIGMA

Durable polymeric
self-cleaning screen filter

MASTERS OF FILTRATION



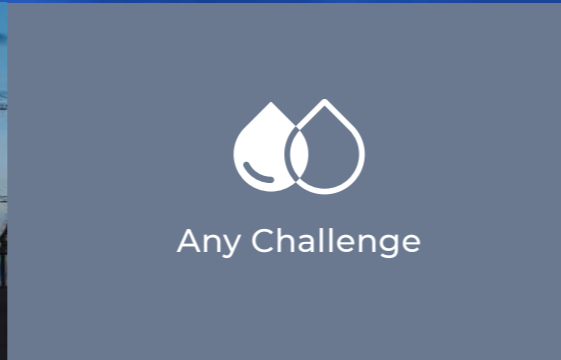
Any Technology



Anywhere



Any Challenge



Any Water Source



Your water challenge.
Our filtration solution.

Amiad Water Systems is a world leader in water treatment and filtration solutions. For over 57 years Amiad has devoted its passion and commitment to developing a comprehensive line of water filtration systems for a wide range of industrial applications.

Our solutions are integrated into the core of water filtration systems in the following industries and applications: metal, plastic, energy, chemical, water treatment and salt water disposal.

We develop filters that are able to cope with any water quality, in any geographical location.

We've spent years mastering filtration technology so we can offer a wide range of filters for every industrial need, including screen, disc, microfiber or media technology.

We consider every challenge as an opportunity to work side by side with our customers to solve their problems.

We'll go anywhere to ensure our filters perform as expected, 24/7, every day of the year.

When you want a high-performance solution for your water filtration system, consult with Amiad. We focus on doing what we do best.

Amiad. Masters of Filtration.



Disc
Technology



Screen
Technology



Media
Technology



Microfiber
Technology

The next generation of water filtration

MINISIGMA FEATURES



Easy installation and
low maintenance



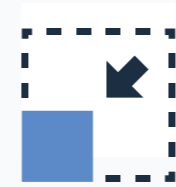
Reliable and
durable



Low water and energy
consumption



Registered
Patent



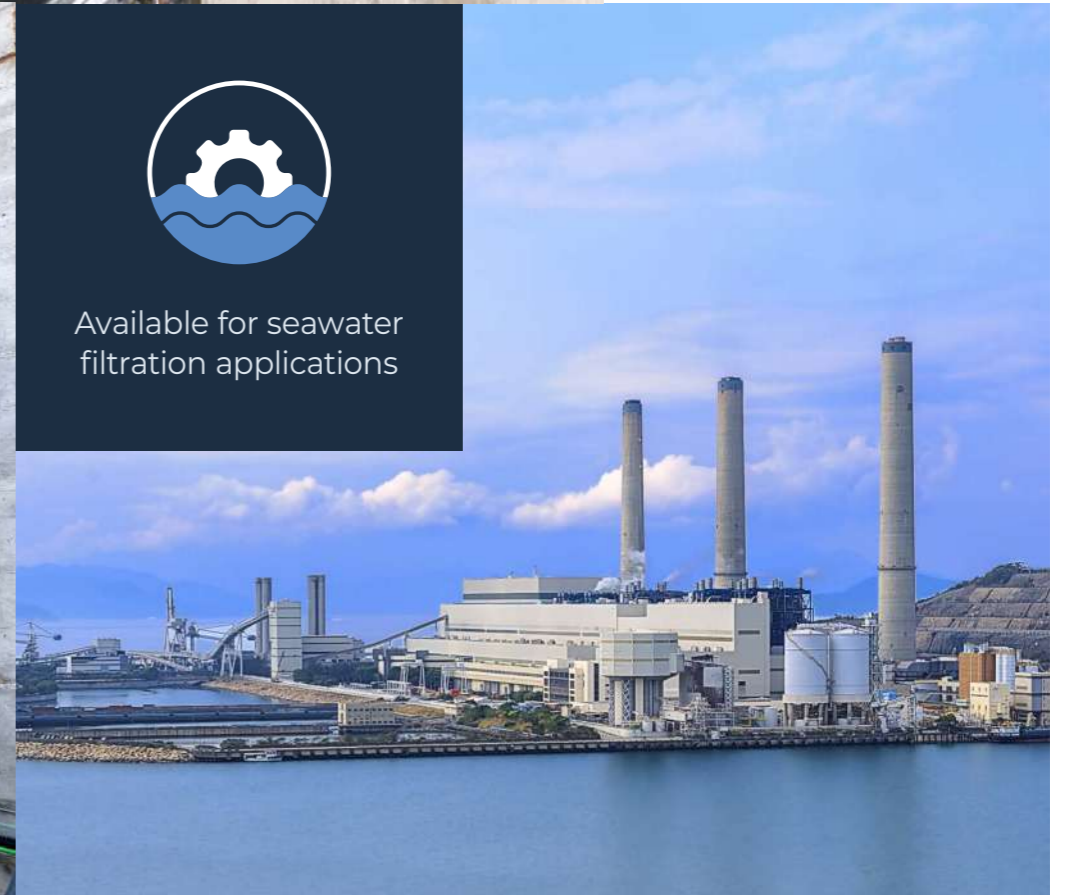
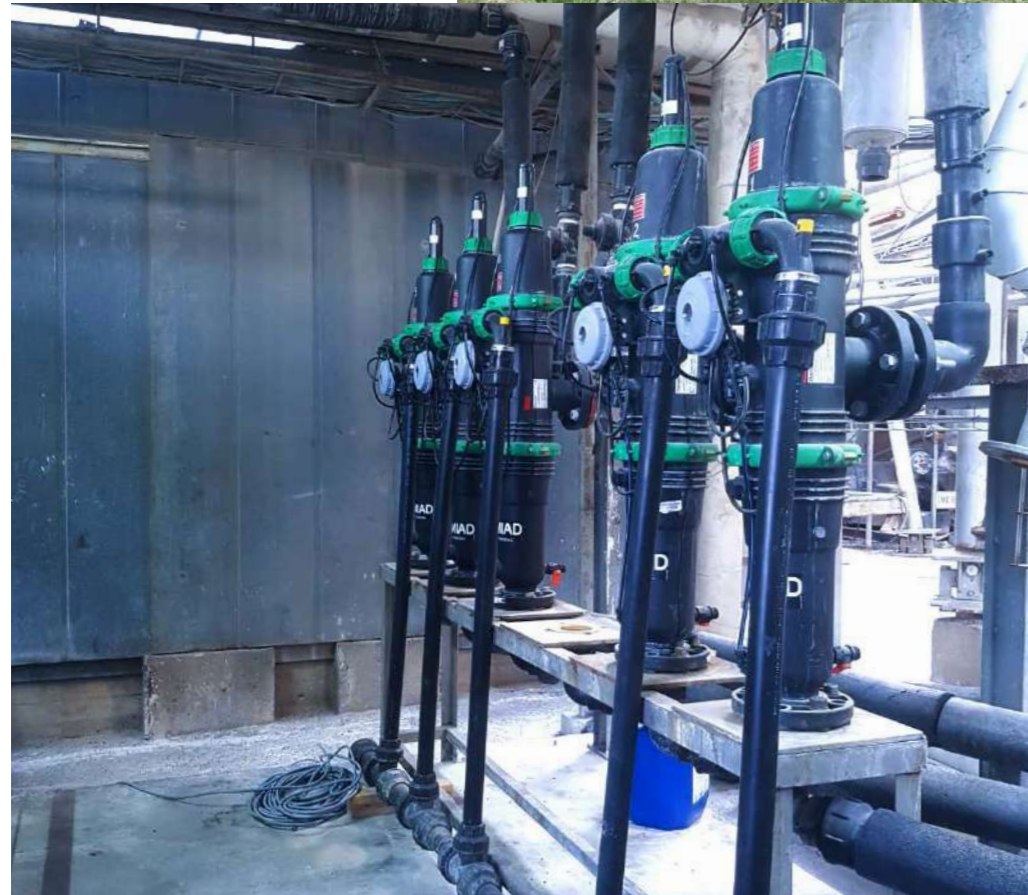
Compact design and
lightweight



Available for seawater
filtration applications



Polymeric filter -
corrosion free

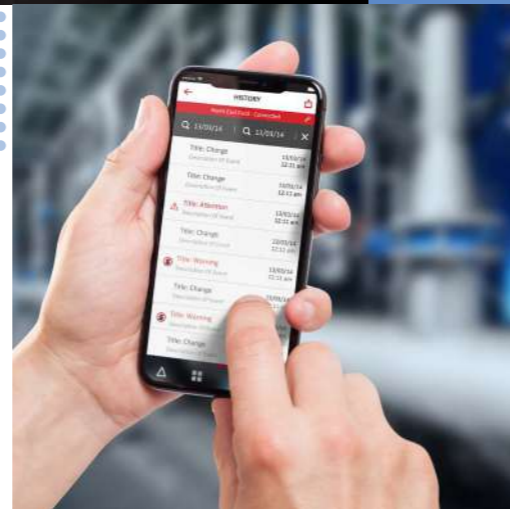


ADI-P: the control is in your hands



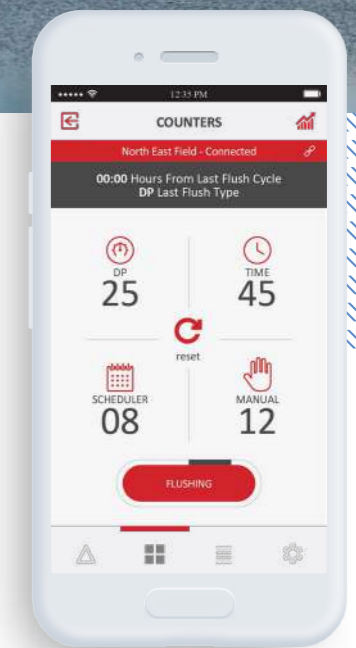
The ADI-P Controller

The ADI-P Controller operates the automated processes that flush your Mini Sigma filters, allowing you to control and monitor them easily and conveniently.



The ADI-P App

Access your site's filtration performance data directly from the ADI-P app. Here are some of the data that you can access via the ADI-P app:



- Flush logs
- Flush frequency
- Current DP
- Current outlet and inlet pressure
- Flush quality - measuring DP on the filter before and after flush cycle
- Malfunctions with descriptions of each event
- Battery status and low battery alerts



Suitable for low pressure (1.5-10 bar)



Single or dual solenoid configuration



Provides detailed filtration performance data



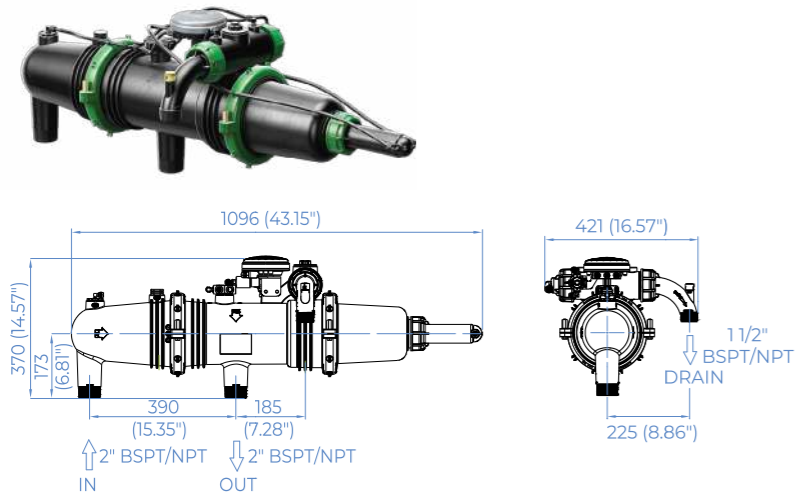
Communication within **Bluetooth®** technology range



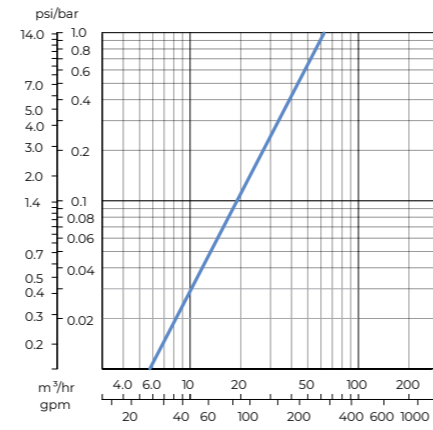
Offline information storage available

MINISIGMA Models

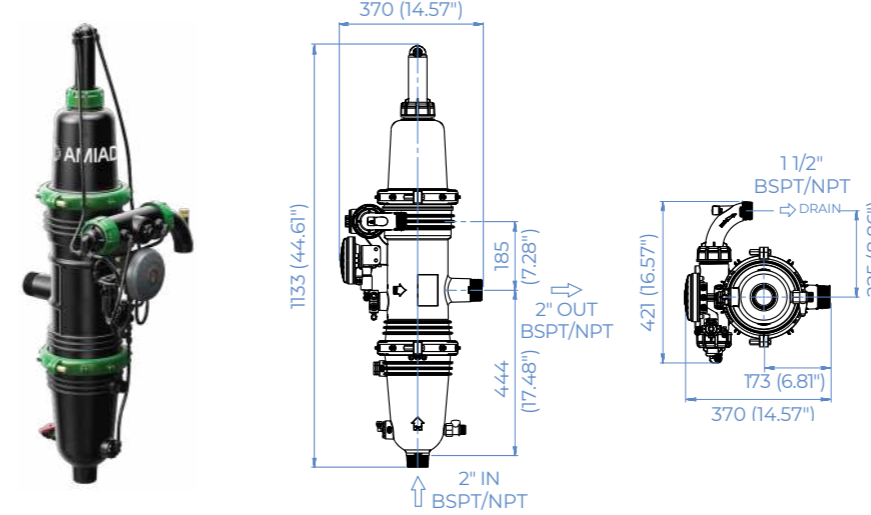
2" MINISIGMA | on-line



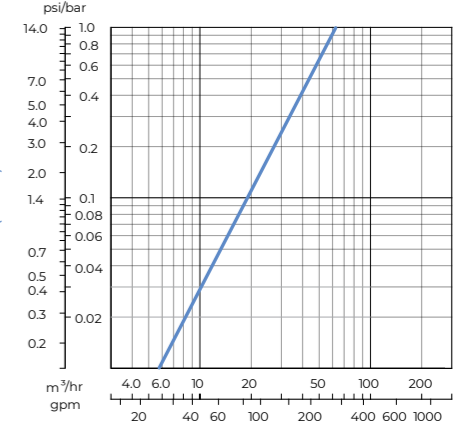
Head Loss Graph (in clean water)



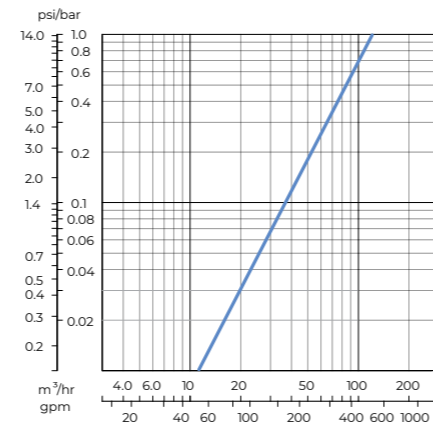
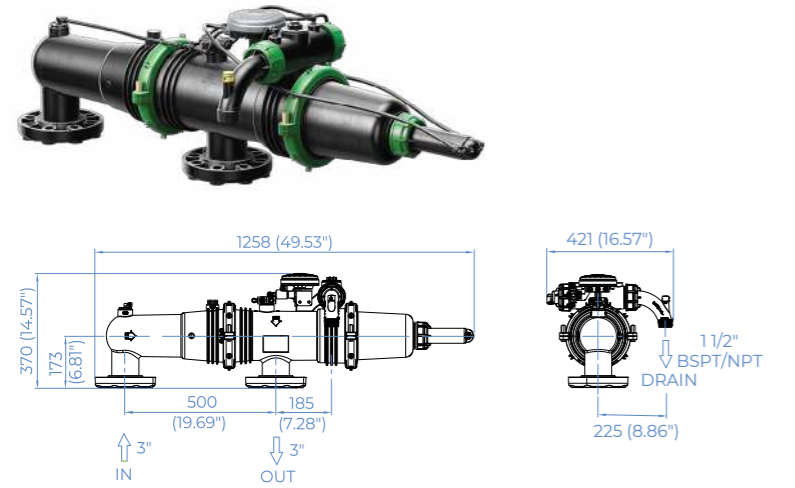
2" MINISIGMA | angle



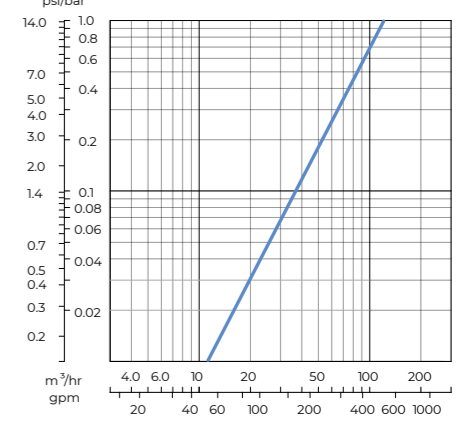
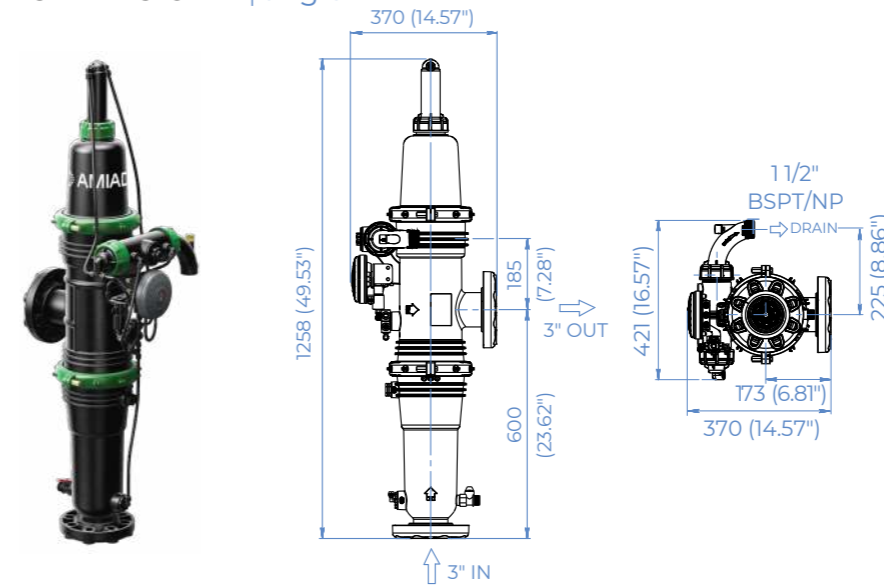
Head Loss Graph (in clean water)



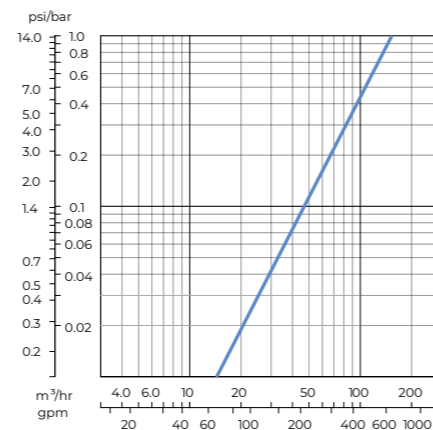
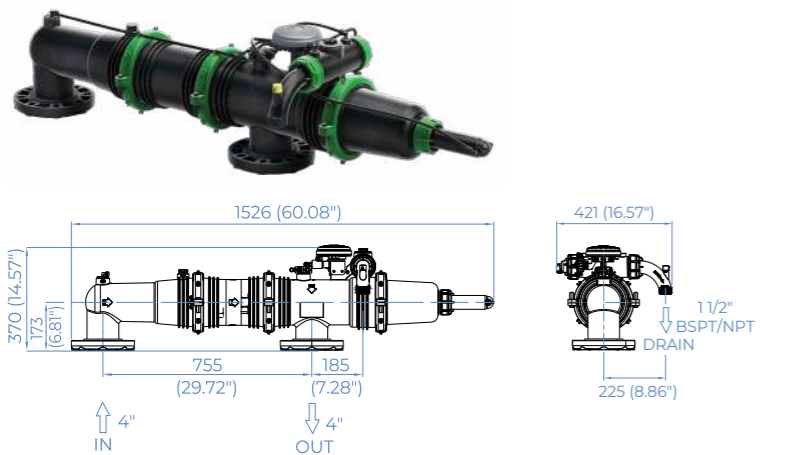
3" MINISIGMA | on-line



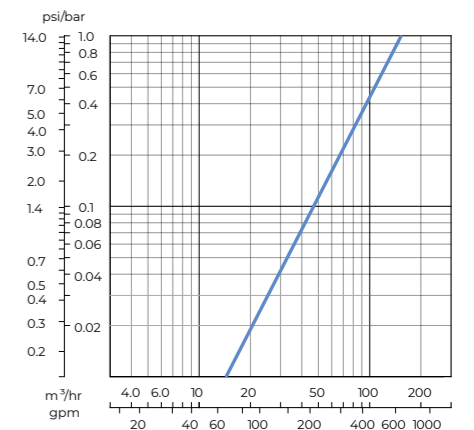
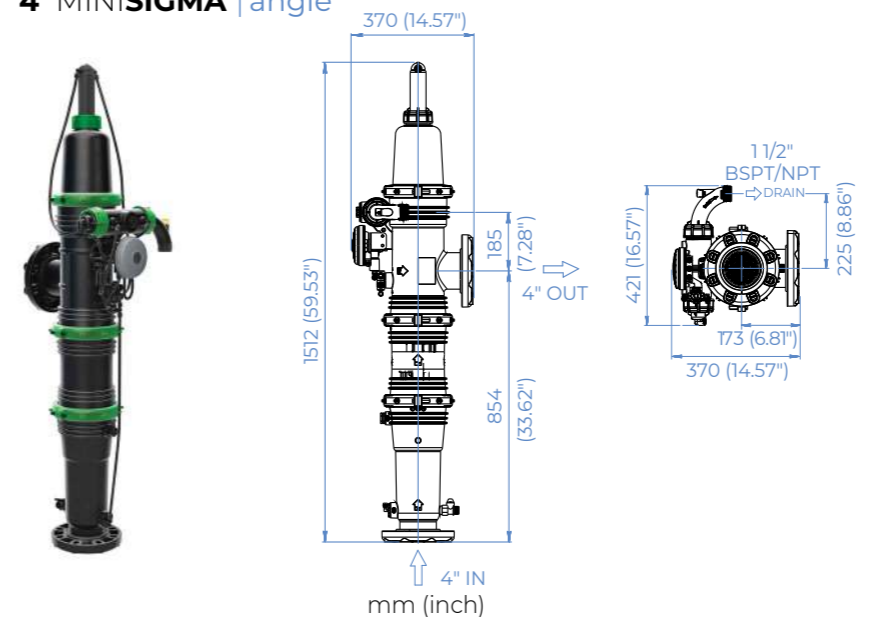
3" MINISIGMA | angle



4" MINISIGMA | on-line



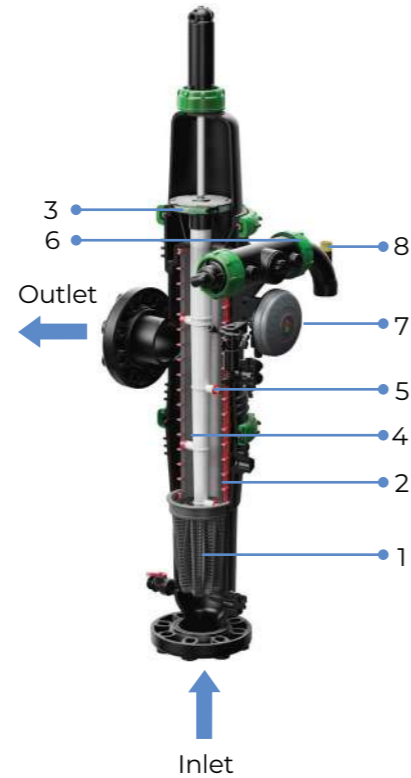
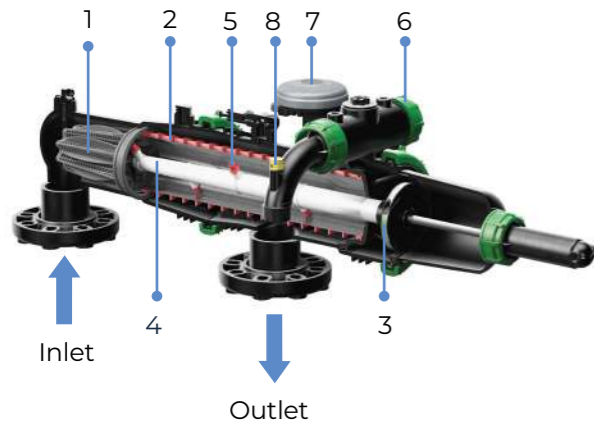
4" MINISIGMA | angle



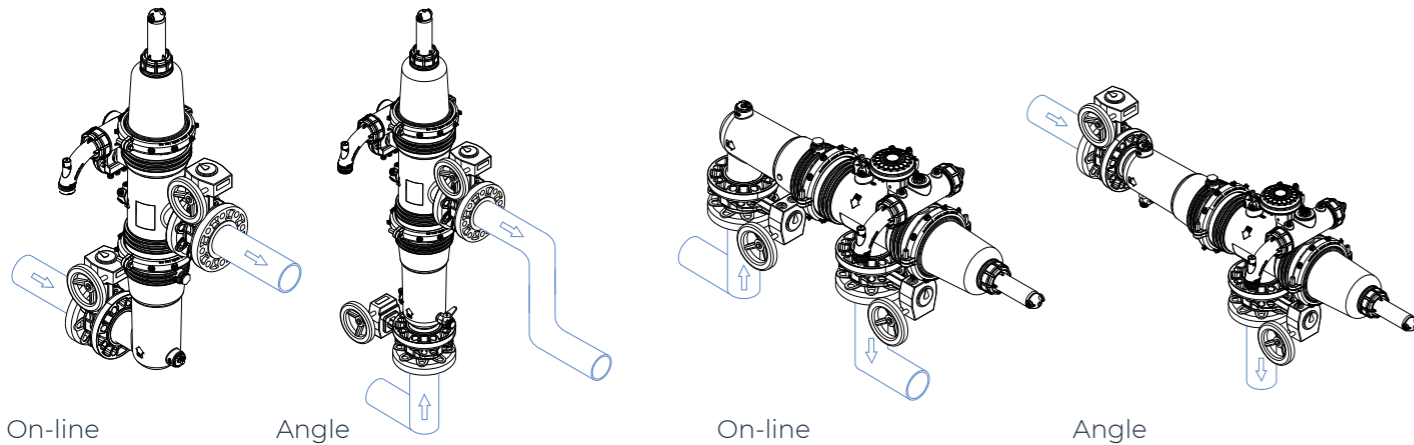
MINISIGMA: a step ahead

Mini Sigma Parts

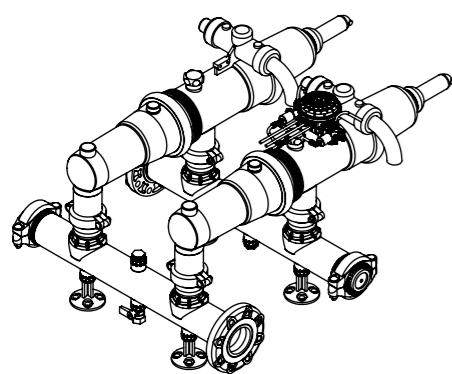
1. Coarse screen
2. Fine screen
3. Hydraulic turbine
4. Suction-scanner shaft
5. Suction-scanner nozzles
6. Flush valve
7. ADI-P controller
8. Integral anti vacuum



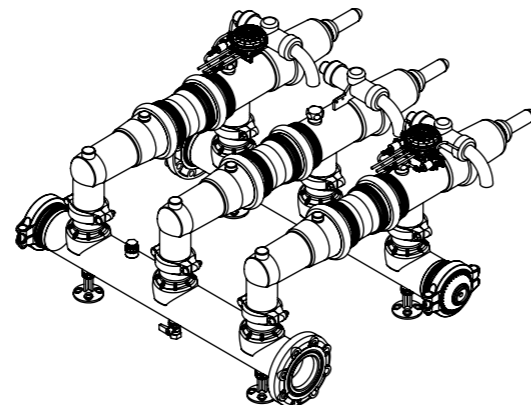
Installation Configurations



Battery Design



2 units of 3" Mini Sigma
for flow rates up to 100 m³/h (440 gpm)



3 units of 4" Mini Sigma
for flow rates up to 240 m³/h (1,057 gpm)

Technical Specifications

Filter Model	2" Mini Sigma	3" Mini Sigma	4" Mini Sigma
General data			
Max. flow rate* (130μ)	30 m ³ /h (132 gpm)	50 m ³ /h (220 gpm)	80 m ³ /h (352 gpm)
Min. operating pressure when cleaning	1.5 bar (22 psi)		
Max. operating pressure**	8 bar (116 psi)		
Filtration area	1,200 cm ² (186 in ²)	1,600 cm ² (248 in ²)	2,400 cm ² (372 in ²)
Inlet/Outlet diameter	2" (50 mm) BSPT/NPT	3" (80 mm) Grooved coupling/ Universal flange	4" (100 mm) Grooved coupling/ Universal flange
Weight (Empty)	16 kg (35 lb)	20 kg (44 lb)	23 kg (51 lb)

* Amiad's flow recommendation per water quality.

** Maximum operating pressure and temperature are interdependent parameters and are given for general reference only. Please consult your authorized Amiad representative for the application specific parameters.

Electronic control

Control power supply	4 x AA type 1.5V batteries and/or External 7-14 VDC
Solenoid	9-12 VDC latching solenoid
DP switch	Integral sensors

* Also available for single-phase electric power with transformer.

Flushing data (at 1.5 bar, 22 psi)

Exhaust valve	1.5" (40 mm) BSPT/NPT		
Flushing time*	10 seconds		
Reject water volume per flush cycle*	24 liters (6.3 gallons)	26 liters (6.8 gallons)	28 liters (7.4 gallons)
Flushing flow rate*	8.7 m ³ /h (38.3 gpm)	9.6 m ³ /h (42.2 gpm)	10 m ³ /h (44 gpm)

* Any pressure between 1.5 bar (22 psi) and 8 bar (116 psi) will improve these parameters.

Construction materials

Filter housing and lid	RPA (reinforced polyamide)
Screens	Molded weavewire, stainless steel 316L
Cleaning mechanism	PBT
Exhaust valve	Polymeric
Seals	EPDM, NBR
Control command tubing	PE (polyethylene)

The Mini Sigma is also available for seawater filtration applications. Please consult with Amiad's experts.

Standard Filtration Degrees

micron	500	300	200	130	100	80	50
mm	0.5	0.3	0.2	0.13	0.1	0.08	0.05



Headquarters

Amiad Water Systems Ltd.

Web: www.amiad.com

E-mail: info@amiad.com

The Americas

USA

Amiad USA Inc.

Web: us.amiad.com | E-mail: infousa@amiad.com

Mexico

Amiad México SA DE CV,

Web: es.amiad.com | E-mail: infomexico@amiad.com

Asia

India

Amiad Filtration India Pvt Limited

Web: amiad.com | E-mail: info-india@amiad.com

China

Amiad China (Yixing Taixing Environtec Co., Ltd.)

Web: amiad.com.cn | E-mail: infochina@amiad.com

South-East Asia

Filtration & Control Systems Pte. Ltd.

Web: amiad.com | E-mail: info-singapore@amiad.com

Australia

Amiad Australia Pty Ltd.

Web: au.amiad.com | E-mail: sales@amiad.com

Europe

Amiad Water Systems Europe SAS

Web: amiad.com | E-mail: industry-europe@amiad.com

German branch office

Web: de.amiad.com | E-mail: industry-de@amiad.com

United Kingdom

Amiad Water Systems UK Limited

Web: amiad.com | E-mail: info-uk@amiad.com



 **amiad** INDUSTRY

MASTERS OF FILTRATION

www.amiad.com

910101-001187/05.2021

Copyright © 2019 Amiad Water Systems Ltd. All rights reserved. The contents of this catalogue including without limitation all information and materials, images, illustrations, designs, icons, photographs, graphical presentations, designs, literary works, data, drawings, slogans, phrases, names, trademarks, titles and any other such materials that appear in this catalogue (collectively, the "Contents") are the sole property of Amiad Water Systems Ltd. ("Amiad"). Amiad has sole and exclusive right, title and interest in the Contents, including any intellectual property rights, whether registered or not, and all know-how contained or embodied therein. You may not reproduce, publish, transmit, distribute, display, modify, create derivative works from, sell or participate in any sale of, or exploit in any way, in whole or in part, any of the Contents or the catalogue. Any use of the catalogue or the Contents, other than for personal use, requires the advanced written permission of Amiad.

The Bluetooth® word mark and logos are registered trademarks owned by the Bluetooth SIG, Inc. and any use of such marks by Amiad Water Systems is under license. Other trademarks and trade names are those of their respective owners.

For more details about our patents go to: www.amiad.com