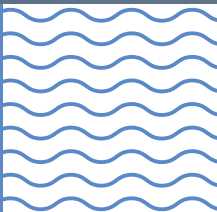


**FILTOMAT**  
M100/ MG

Self-cleaning  
screen filter



# MASTERS OF FILTRATION



Any Technology



Anywhere



Any Challenge



Any Water Source



**Your water challenge.**  
**Our filtration solution.**

**Amiad Water Systems is a world leader in water treatment and filtration solutions.** For over 57 years Amiad has devoted its passion and commitment to developing a comprehensive line of water filtration systems for a wide range of industrial applications.

Our solutions are integrated into the core of water filtration systems in the following industries and applications: metal, plastic, energy, chemical, water treatment and salt water disposal.

We develop filters that are able to cope with any water quality, in any geographical location.

We've spent years mastering filtration technology so we can offer a wide range of filters for every industrial need, including screen, disc, microfiber or media technology.



Disc  
Technology



Screen  
Technology



Media  
Technology



Microfiber  
Technology

We consider every challenge as an opportunity to work side by side with our customers to solve their problems.

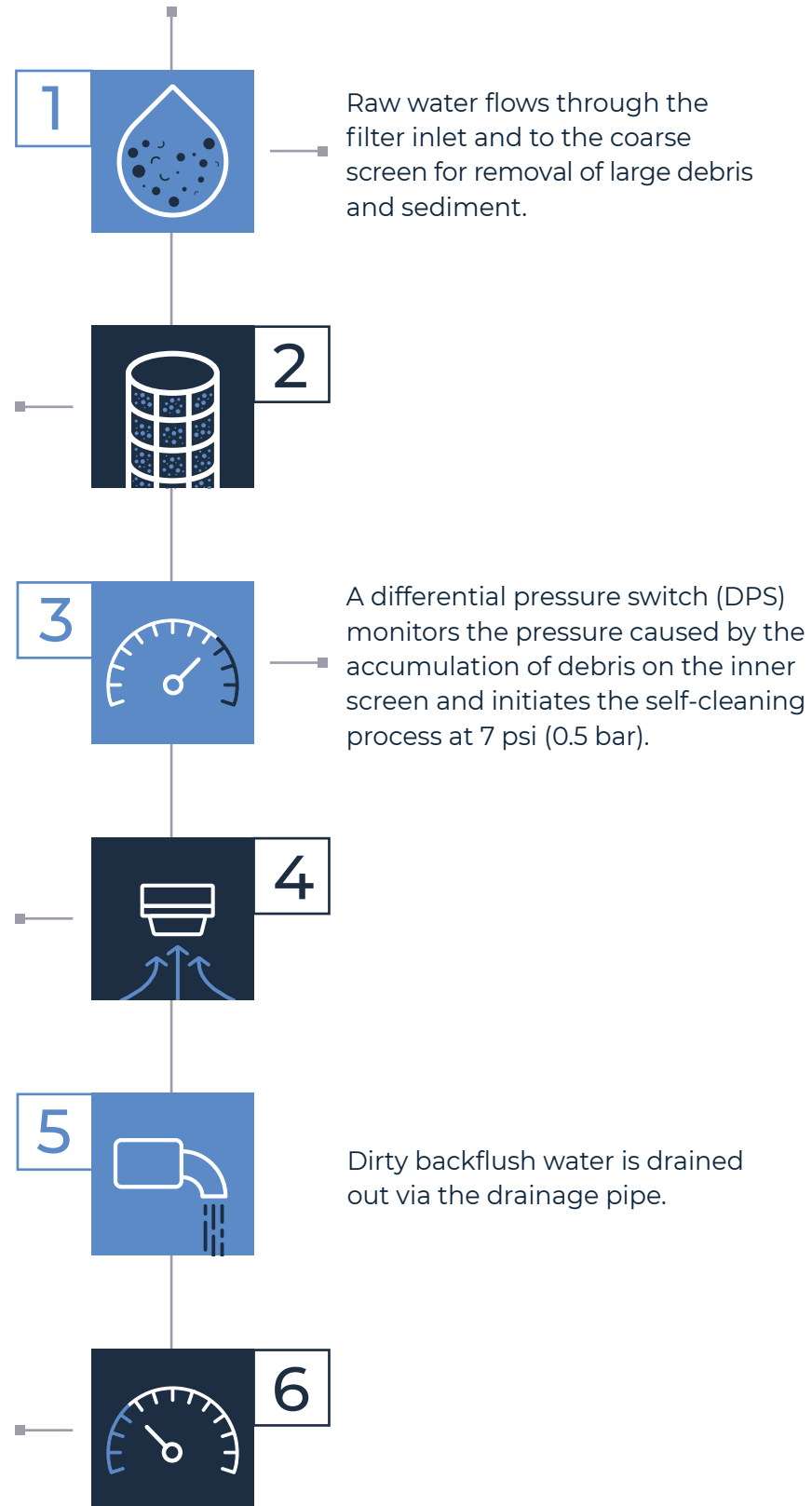
We'll go anywhere to ensure our filters perform as expected, 24/7, every day of the year.

When you want a high-performance solution for your water filtration system, consult with Amiad. We focus on doing what we do best.

**Amiad. Masters of Filtration.**



## The Filtration Process



Water then passes through the fine screen for removal of the remaining small particles.

The flush valve opens to the atmosphere to create a strong suction force at the scanner nozzles, effectively removing dirt particles from the screen.

After efficient cleaning, the DP returns to its original value, enabling the filter to operate continuously without downtime.

## FILTOMAT FEATURES



Simple construction



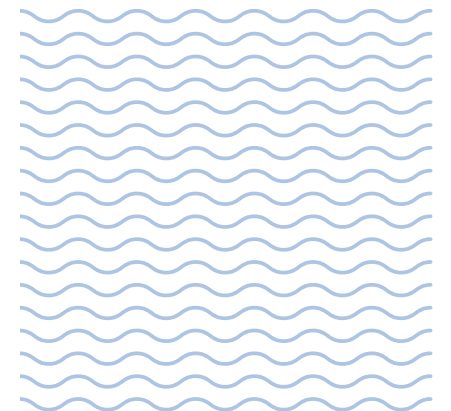
Reliable and durable



Easy maintenance - disassembles in only 5 parts



Automatic flushing according to pressure differential or set time



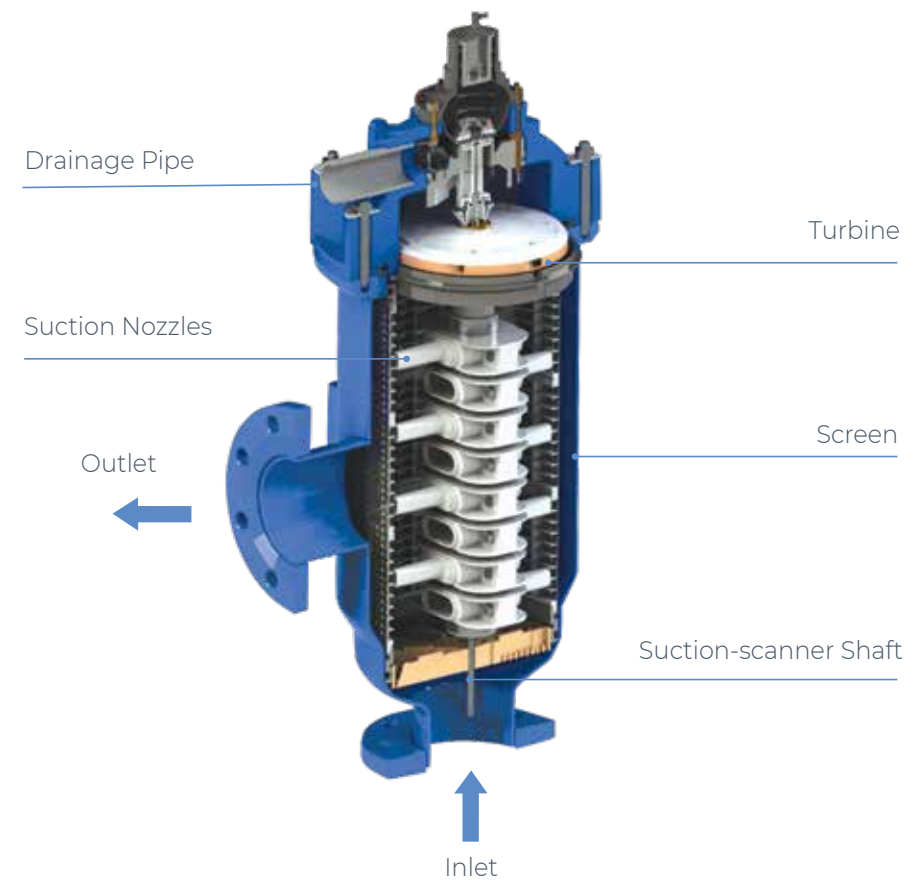
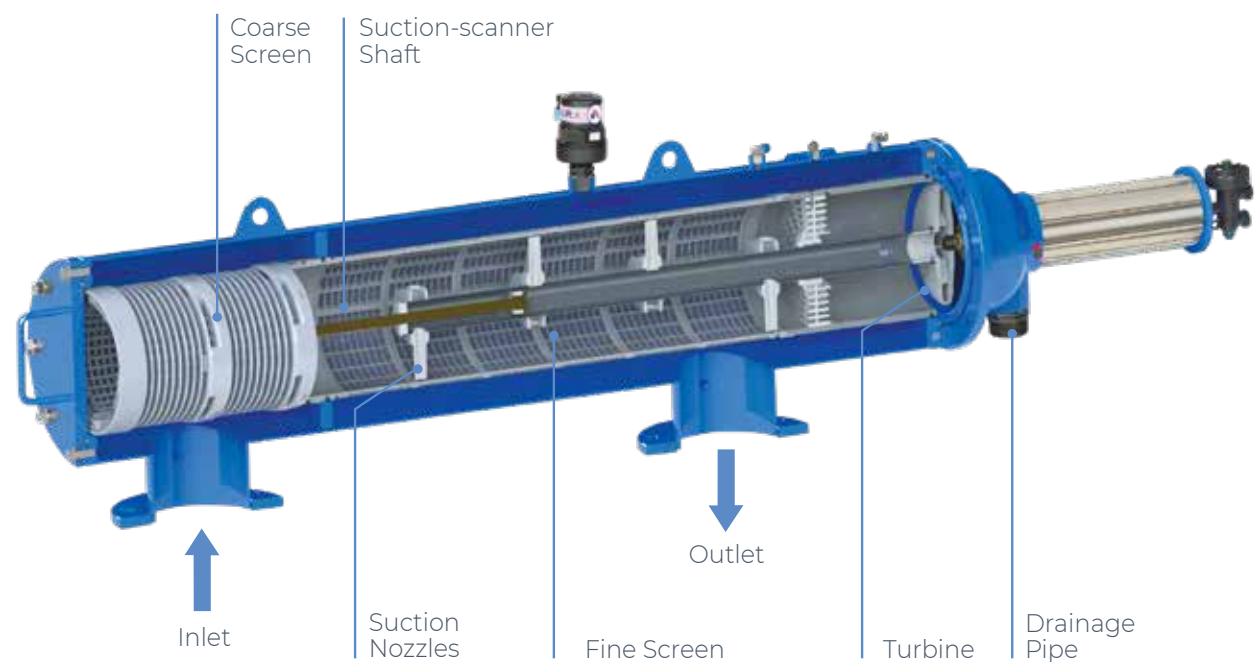
No interruption of downstream flow during flushing



Designed for industrial filtration needs



# FILTOMAT: An Inside Look



## Filtomat M100 Models

Available as a stand alone or as filter bank assembly, with a single ADI-P electronic control system.

**M102C/M103C:** ≤ 176 gpm (40 m<sup>3</sup>/h)

**M103CL/M104C:** ≤ 350 gpm (80 m<sup>3</sup>/h)

**M104CL:** ≤ 440 gpm (100 m<sup>3</sup>/h)

**M104LPN/M106LP:** ≤ 793 gpm (180 m<sup>3</sup>/h)

**M104XLP/M106XLP/M108LP/M110P:** ≤ 1,760 gpm (400 m<sup>3</sup>/h)



## Filtomat MG Models

Modular configuration, available as a stand alone or as filter bank assembly, with a single ADI-P electronic control system.

Delivered fully assembled and requiring a single connection to the inlet, outlet and drain.

**MG110 (2 x 108LP):** ≤ 1,760 gpm (400 m<sup>3</sup>/h)

**MG112 (3 x 108LP):** ≤ 2,640 gpm (600 m<sup>3</sup>/h)

**MG114 (4 x 108LP):** ≤ 3,520 gpm (800 m<sup>3</sup>/h)



# ADI-P: the control is in your hands



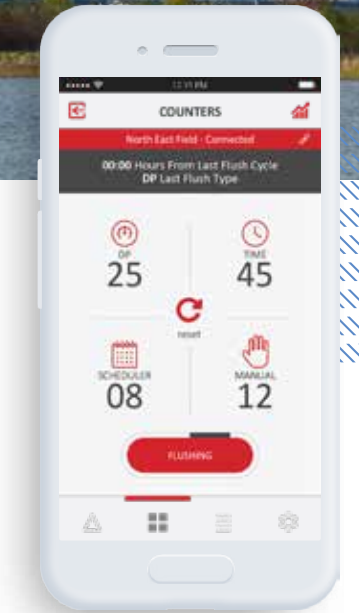
## The ADI-P Controller

The ADI-P Controller operates the automated processes that flush your Filtomat filters, allowing you to control and monitor them easily and conveniently.



## The ADI-P App

Access your site's filtration performance data directly from the ADI-P app. Here are some of the data that you can access via the ADI-P app:



- Flush logs
- Flush frequency
- Current DP
- Current outlet and inlet pressure
- Flush quality - measuring DP on the filter before and after flush cycle
- Malfunctions with descriptions of each event
- Battery status and low battery alerts



Suitable for low pressure (1.5-10 bar)



Single or dual solenoid configuration



Provides detailed filtration performance data



Communication within **Bluetooth®** technology range



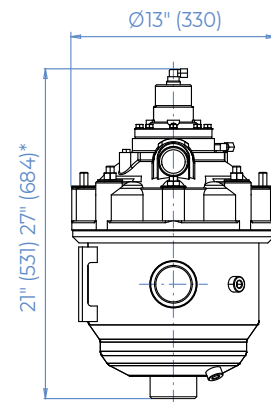
Offline information storage available

# M100 Models

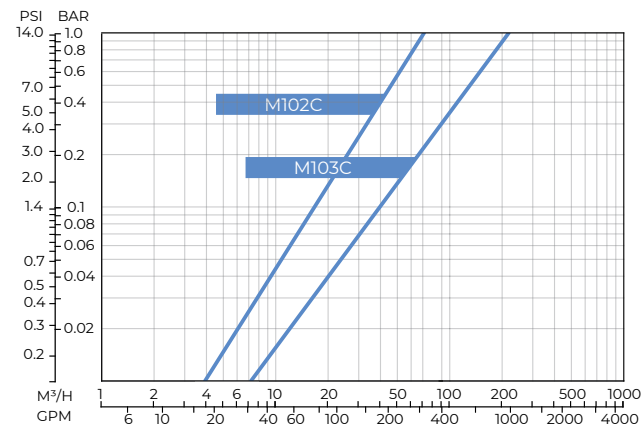
M102C / M103C



Typical Dimensional Drawing  
inch (mm)



Head Loss Graph (in clean water)

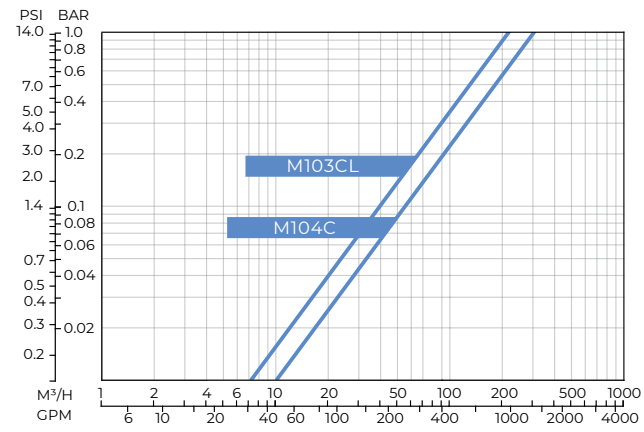
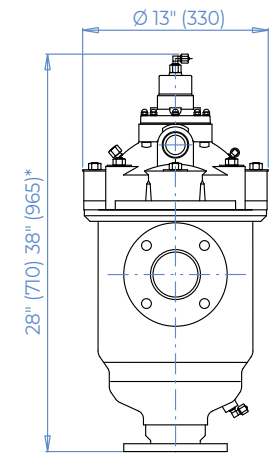


Technical Specifications - M100 Models

Filter Model	M102C / M103C	M103CL / M104C	M104CL
<b>General Data</b>			
Maximum flow rate*	175 gpm (40 m³/h)	350 gpm (80 m³/h)	440 gpm (100 m³/h)
Inlet/Outlet diameter	2" (50 mm) 3" (80 mm)	3" (80 mm) 4" (100 mm)	4" (100 mm)
Standard filtration degrees	500, 300, 200, 130, 100, 80 micron		
Minimum working pressure	30 psi (2 bar) For lower pressure please consult Amiad		
Maximum working pressure	116 psi (8 bar)		
Maximum working temperature	131°F (55°C)		
Weight [empty]	2" 48.5 lb (22 kg) 3" 55 lb (25 kg)	3" 66 lb (30 kg) 4" 77 lb (35 kg)	4" 110 lb (50 kg)

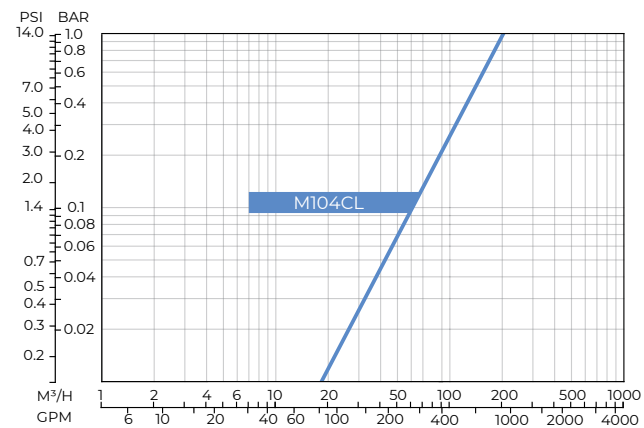
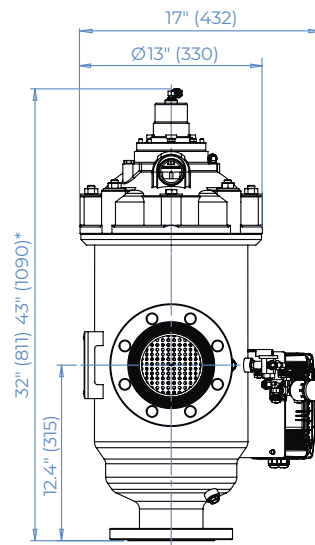
\* Consult Amiad for optimum flow depending on filtration degree and water quality.

M103CL / M104C



<b>Flushing Data</b>			
Minimum flow for flushing (at 30 psi - 2 bar)	66 gpm (15 m³/h)	88 gpm (20 m³/h)	97 gpm (22 m³/h)
Reject water volume per flush cycle (at 30 psi - 2 bar)	4 gallon (15 liter)	5.2 gallon (20 liter)	7.3 gallon (28 liter)
Flushing cycle time	10 seconds		
Exhaust valve	1.5" (40 mm)		
Flushing criteria	Differential pressure of 7 psi (0.5 bar), time intervals or manual operation		

M104CL



\*Approx. length required for maintenance

<b>Screen Data</b>			
Total filtration area	202 in² (1,300 cm²)	329 in² (2,120 cm²)	465 in² (3,000 cm²)
Net filtration area	116 in² (750 cm²)	232 in² (1,500 cm²)	349 in² (2,250 cm²)
Screen types	Molded weavewire stainless steel 316L		

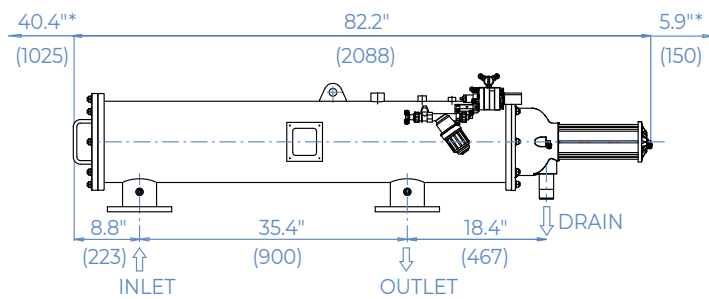
<b>Construction Materials</b>	
Filter housing	Epoxy-coated carbon steel 37-2 (stainless steel 316L on request)
Filter lid	High density polypropylene, epoxy coated carbon steel 37-2 (stainless steel 316L on request)
Cleaning mechanism	PVC and stainless steel 316L
Exhaust valve	Brass, stainless steel 316L, BUNA-N
Seals	BUNA-N
Control	Brass, stainless steel 316L, and acetal

# M100 Models

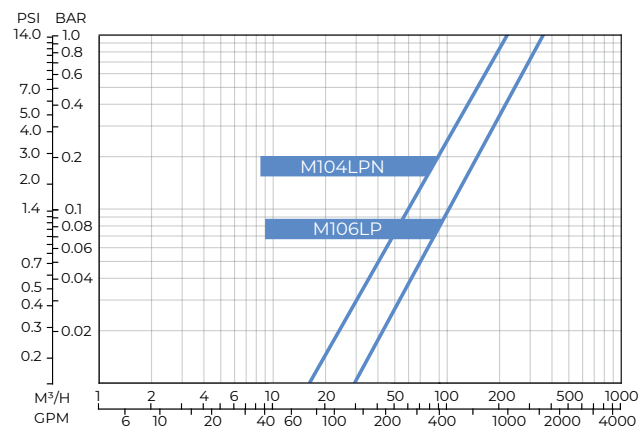
M104LPN / M106LP



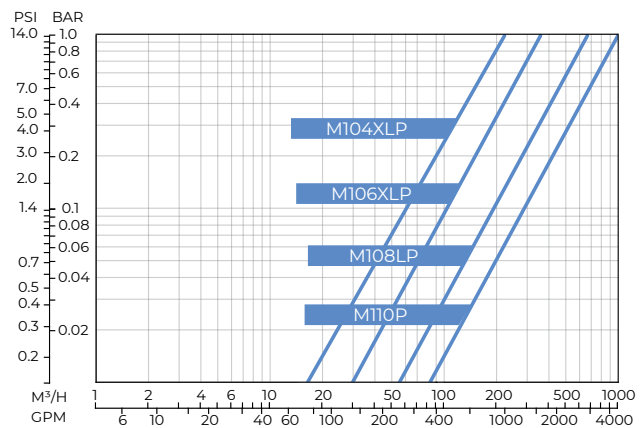
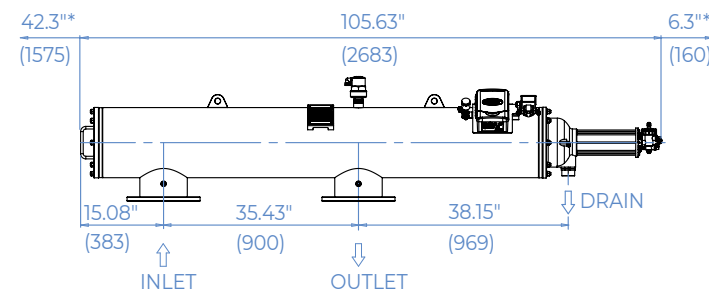
Typical Dimensional Drawing  
inch (mm)



Head Loss Graph (in clean water)



M104XLP / M106XLP / M108LP / M110P



\*Approx. length required for maintenance

Technical Specifications - M100 Models

Filter Model	M104LPN / M106LP	M104XLP / M106XLP / M108LP / M110P
<b>General Data</b>		
Maximum flow rate*	793 gpm (180 m <sup>3</sup> /h)	1,760 gpm (400 m <sup>3</sup> /h)
Inlet/Outlet diameter	4" (100 mm) 6" (150 mm)	4" (100 mm) 6" (150 mm) 8" (200 mm) 10" (250 mm)
Standard filtration degrees	500, 300, 200, 130, 100, 80 micron	
Minimum working pressure	30 psi (2 bar) For lower pressure please consult Amiad	
Maximum working pressure	150 psi (10 bar)	
Maximum working temperature	131°F (55°C)	
Weight [empty]	4" 198 lb (90 kg) 6" 253.5 lb (115 kg)	4" 242.5 lb (110 kg) 6" 264.5 lb (120 kg) 8" 308.6 lb (140 kg) 10" 348 lb (158 kg)

\* Consult Amiad for optimum flow depending on filtration degree and water quality.

<b>Flushing Data</b>		
Minimum flow for flushing (at 30 psi - 2 bar)	114 gpm (26 m <sup>3</sup> /h)	132 gpm (30 m <sup>3</sup> /h)
Reject water volume per flush cycle (at 30 psi - 2 bar)	33 gallon (125 liter)	40 gallon (150 liter)
Flushing cycle time	15 seconds	
Exhaust valve	1.5" (40 mm)	
Flushing criteria	Differential pressure of 7 psi (0.5 bar), time intervals or manual operation	

<b>Screen Data</b>		
Total filtration area	953 in <sup>2</sup> (6,150 cm <sup>2</sup> )	1,378 in <sup>2</sup> (8,890 cm <sup>2</sup> )
Net filtration area	698 in <sup>2</sup> (4,500 cm <sup>2</sup> )	1,054 in <sup>2</sup> (6,800 cm <sup>2</sup> )
Screen types	Molded weavewire stainless steel 316L	

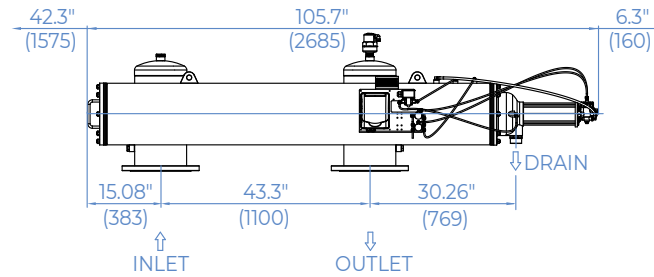
<b>Construction Materials</b>		
Filter housing	Epoxy-coated carbon steel 37-2 (stainless steel 316L on request)	
Filter lid	High density polypropylene, epoxy coated carbon steel 37-2 (stainless steel 316L on request)	
Cleaning mechanism	PVC and stainless steel 316L	
Exhaust valve	Brass, stainless steel 316L, BUNA-N	
Seals	BUNA-N	
Control	Brass, stainless steel 316L, and acetal	

# MG Models

MG110



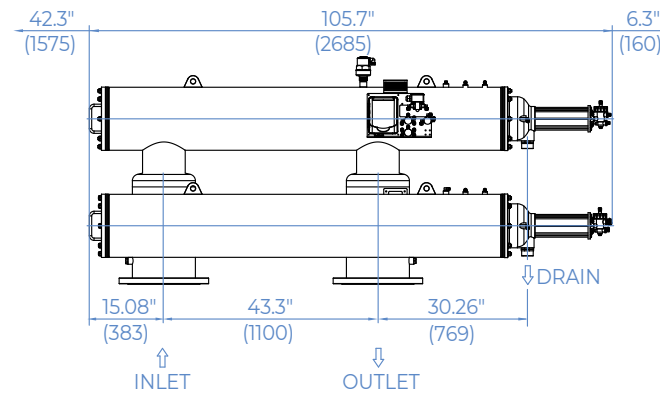
Typical Dimensional Drawing  
inch (mm)



Technical Specifications - MG Models

Filter Model	MG110	MG112	MG114
<b>General Data</b>			
Maximum flow rate*	1,760 gpm (400 m <sup>3</sup> /h)	2,640 gpm (600 m <sup>3</sup> /h)	3,520 gpm (800 m <sup>3</sup> /h)
Inlet/Outlet diameter	10" (250 mm)	12" (300 mm)	14" (350 mm)
Standard filtration degrees	500, 300, 200, 130, 100, 80 micron		
Minimum working pressure	30 psi (2 bar) For lower pressure please consult Amiad		
Maximum working pressure	150 psi (10 bar)		
Maximum working temperature	131°F (55°C)		
Weight [empty]	717 lb (325 kg)	1,054 lb (480 kg)	1,590 lb (723 kg)

MG112

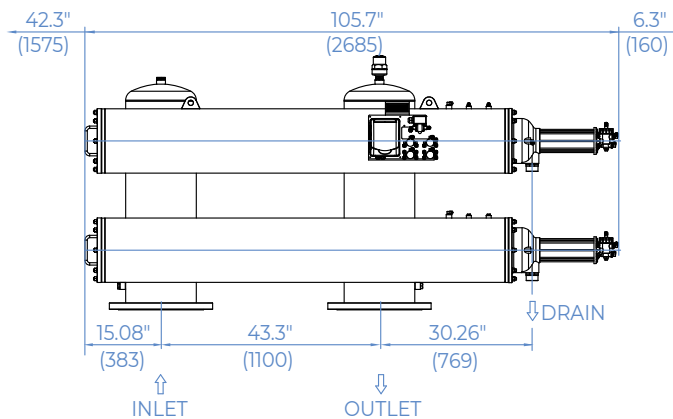


\* Consult Amiad for optimum flow depending on filtration degree and water quality.

Flushing Data

Minimum flow for flushing (at 30 psi - 2 bar)	132 gpm (30 m <sup>3</sup> /h)		
Reject water volume per flush cycle (at 30 psi - 2 bar)	80 gallon (300 liter)	120 gallon (450 liter)	160 gallon (600 liter)
Flushing cycle time	30 seconds	45 seconds	60 seconds
Exhaust valve	1.5" (40mm)		
Flushing criteria	Differential pressure of 7 psi (0.5 bar), time intervals or manual operation		

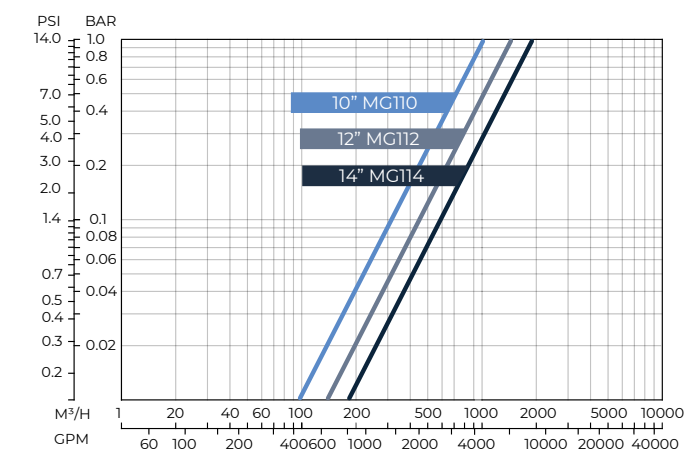
MG114



Screen Data

Total filtration area	2,756 in <sup>2</sup> (17,780 cm <sup>2</sup> )	4,134 in <sup>2</sup> (26,670 cm <sup>2</sup> )	5,512 in <sup>2</sup> (35,560 cm <sup>2</sup> )
Net filtration area	2,108 in <sup>2</sup> (13,600 cm <sup>2</sup> )	3,162 in <sup>2</sup> (20,400 cm <sup>2</sup> )	4,216 in <sup>2</sup> (27,200 cm <sup>2</sup> )
Screen types	Molded weavewire, stainless steel 316L		

Head Loss Graph (in clean water)



\*Approx. length required for maintenance





## Headquarters

**Amiad Water Systems Ltd.**

Web: [www.amiad.com](http://www.amiad.com)

E-mail: [info@amiad.com](mailto:info@amiad.com)

## The Americas

### USA

**Amiad USA Inc.**

Web: [www.amiadusa.com](http://www.amiadusa.com) | [www.pepfilters.com](http://www.pepfilters.com) |

E-mail: [infousa@amiad.com](mailto:infousa@amiad.com)

### Brazil

**Amiad Sistemas de Água Ltda.**

E-mail: [infobrasil@amiad.com](mailto:infobrasil@amiad.com)

### Mexico

**Amiad México SA DE CV,**

Web: [www.amiad.es](http://www.amiad.es) | E-mail: [infomexico@amiad.com](mailto:infomexico@amiad.com)

Irrigation office: E-mail: [infomexico-irr@amiad.com](mailto:infomexico-irr@amiad.com)

## Australia

**Amiad Australia Pty Ltd.**

Web: [www.amiad.com.au](http://www.amiad.com.au) | E-mail: [sales@amiad.com](mailto:sales@amiad.com)

## Asia

### India

**Amiad Filtration India Pvt Limited**

Web: [www.amiadindia.com](http://www.amiadindia.com) | E-mail: [info-india@amiad.com](mailto:info-india@amiad.com)

### China

**Amiad China (Yixing Taixing Environtec Co., Ltd.)**

Web: [www.amiad.com.cn](http://www.amiad.com.cn) | E-mail: [infochina@amiad.com](mailto:infochina@amiad.com)

### South-East Asia

**Filtration & Control Systems Pte. Ltd.**

E-mail: [info-singapore@amiad.com](mailto:info-singapore@amiad.com)

## Europe

**Amiad Water Systems Europe SAS**

E-mail: [industry-europe@amiad.com](mailto:industry-europe@amiad.com)

**German branch office**

E-mail: [industry-de@amiad.com](mailto:industry-de@amiad.com)

**United Kingdom**

**Amiad Water Systems UK Limited**

E-mail: [info-uk@amiad.com](mailto:info-uk@amiad.com)



 **amiad**® IRRIGATION

# MASTERS OF FILTRATION

[www.amiad.com](http://www.amiad.com)

910101-001066/12.2019

Copyright © 2019 Amiad Water Systems Ltd. All rights reserved. The contents of this catalogue including without limitation all information and materials, images, illustrations, designs, icons, photographs, graphical presentations, designs, literary works, data, drawings, slogans, phrases, names, trademarks, titles and any other such materials that appear in this catalogue (collectively, the "Contents") are the sole property of Amiad Water Systems Ltd. ("Amiad"). Amiad has sole and exclusive right, title and interest in the Contents, including any intellectual property rights, whether registered or not, and all know-how contained or embodied therein. You may not reproduce, publish, transmit, distribute, display, modify, create derivative works from, sell or participate in any sale of, or exploit in any way, in whole or in part, any of the Contents or the catalogue. Any use of the catalogue or the Contents, other than for personal use, requires the advanced written permission of Amiad. The Bluetooth® word mark and logos are registered trademarks owned by the Bluetooth SIG, Inc. and any use of such marks by Amiad Water Systems is under license. Other trademarks and trade names are those of their respective owners.