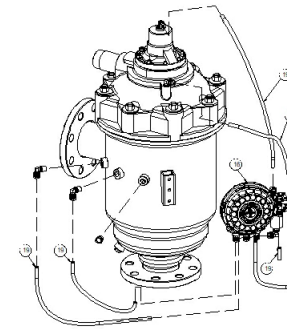
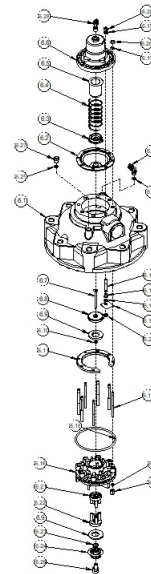
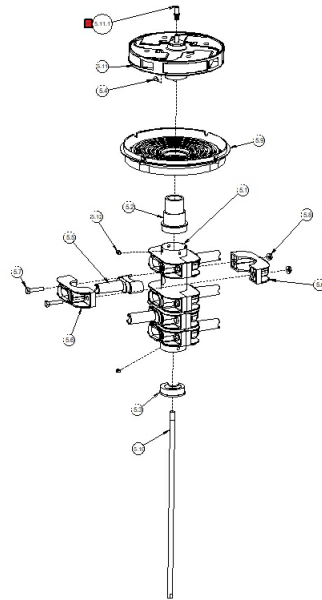
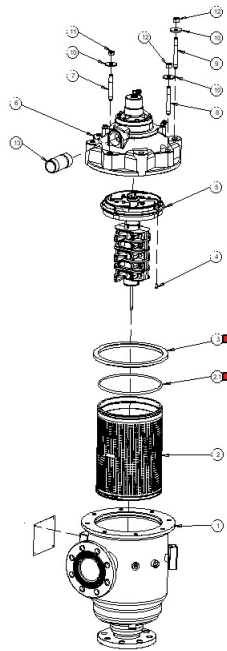


■ MAINTENANCE KIT



M103CL, M104C

Pos.	Part No.	Description	Qty
1	710105-M103CL	M103CL Filter Housing RAL5010 PLOYESTER - By Demand	1
1	710105-M104C	M104C Filter Housing RAL5010 PLOYESTER - By Demand	1
2	700101-000629	MOLDED WEAWEWIRE SCREEN S/ST316L 2120SQ.CM 80MIC M100 NBR SEALS	1
2	700101-000630	MOLDED WEAWEWIRE SCREEN S/ST316L 2120SQ.CM 100MIC M100 NBR SEALS	1
2	700101-000632	MOLDED WEAWEWIRE SCREEN S/ST316L 2120SQ.CM 200MIC M100 NBR SEALS	1
2	700101-000633	MOLDED WEAWEWIRE SCREEN S/ST316L 2120SQ.CM 300MIC M100 NBR SEALS	1
2	700101-000634	MOLDED WEAWEWIRE SCREEN S/ST316L 2120SQ.CM 500MIC M100 NBR SEALS	1
2	700101-001676	MOLDED WEAWEWIRE SCREEN S/ST316L 2120SQ.CM 50MIC M100 NBR SEALS	1
2.1	770102-000217	DOWTY O-RING SEAL 674 ID=208.92MM TH=6.99MM NBR 55 SHORE	2
3	770104-000156	HYDRAULIC SEAL NATURAL 55 SHORE LID M102-104	1
4	760101-000508	PHILLIPS FLAT TAPPING SCREW NO.8 3/4" S/ST316 ASME B18.6.4 TYPE-AB	4
5	700190-001756	DIRT COL.ASSY 5 NOZ (M103C)L/104C + ROTOR AND PART	1
5.1	710103-001114	BODY 52MM M103CL/4C S/ST316 F/DIRT COLLECTOR	1
5.10	710103-001115	SHAFT DIRT COLLECTOR M103CL/4C S/ST303	1
5.11	710101-001637	M100 TURBINE BELL RPP BLACK	1
5.11.1	710103-011978	BEARING M100 S/ST316	1
5.12	760101-000688	PHILLIPS PAN TAPPING SCREW NO.8 3/8" S/ST316 ASME B18.6.4 TYPE-AB	6
5.2	710103-001096	PLUG M102/3C PVC F/DIRT COLLECTOR	1
5.3	710103-001113	PLUG M103CL/4C PVC F/DIRT COLLECTOR	1
5.4	760101-000689	PHILLIPS FLAT TAPPING SCREW NO.8 5/8" S/ST304 ASME B18.6.4 TYPE-AB	4

M103CL, M104C

Pos.	Part No.	Description	Qty
5.5	710101-000692	F100 NOZZLE RPA NATURAL	5
5.6	710101-000693	F100 CLIP RPA NATURAL	10
5.7	760101-000417	HEX BOLT PARTIAL THRD 1/4"UNC 1 1/4" S/ST304 ASME B18.2.1	10
5.8	760102-000097	NYLON INSERT LOCKNUT 1/4"UNC S/ST316 DIN985	10
5.9	710103-000986	PARTITION M100 RPA	1
6	700190-001727	COVER ASSY (M102C)/3C(L)/4C	1
6.1	710103-000816	COVER M100 PP 8 HOLES	1
6.10	770102-000079	PARKER O-RING 2-107 NBR 70 SHORE	9
6.11	710103-001089	ROD TIE SUPPORT M102/3C BRASS PISTONLESS COVER ASSEMBLY	1
6.12	710103-001097	ROD TIE LONG M102/3C BRASS PISTONLESS COVER ASSEMBLY	7
6.13	710103-001083	ROD TIE SHORT M102/3C S/ST303 PISTONLESS COVER ASSEMBLY	1
6.14	710103-000896	BUSHING M104/6LP BRASS PISTONLESS COVER ASSEMBLY	1
6.15	710103-001084	SQUARE WASHER 30MM M102/3C S/ST316 PISTONLESS COVER ASSEMBLY	1
6.16	710103-000990	SEAT VALVE M102/3C RPA F/COVER	1
6.17	710103-001080	NUT M102/3C BRASS PISTONLESS COVER ASSEMBLY	7
6.18	770102-000156	PARKER O-RING 2-351 NBR 50 SHORE	1
6.19	760103-000094	FLAT WASHER M6 DIN125 S/ST316	8
6.20	760102-000078	HEX NUT 1/4"UNC S/ST316 B18.2.2	9
6.2	770106-000028	DIAPHRAGM SEAL M102-M104 NBR 70 SHORE	1
6.21	710101-000697	VALVE 102/3 UPPER GUIDE RPA NATURAL	1

M103CL, M104C

Pos.	Part No.	Description	Qty
6.22	710101-000696	VALVE 102/3 LOWER GUIDE RPA NATURAL	1
6.23	770102-000082	PARKER O-RING 2-112 NBR 70 SHORE NO FLASH	1
6.24	710101-000694	VALVE 102/3 LOWER SEAT RPA NATURAL	1
6.25	770101-000042	MM O-RING SEAL ID6MM TH3MM NBR 70 SHORE NO FLASH	2
6.26	710103-001015	LOWER BEARING M102/3C S/ST316 FEMALE	1
6.27	720501-000190	PLUG 1/4"M BSPT PA66 BLUE TEFEN	1
6.28	720501-000194	L-CONNECTOR 1/4"M X6MM BSPT ACETAL BLACK-BLUE TEFEN	1
6.29	720501-000200	L-CONNECTOR 1/4"M X6MM BSPT RPP RED TEFEN	1
6.3	710101-000703	M102/4 SPRING GUIDE RPP BLACK	1
6.4	710101-000698	VALVE 102/3 UPPER SEAT RPA NATURAL	1
6.4	710101-000702	M102/3 PLUG RPP BLACK	1
6.4	710103-000984	COVER M102C/104C RPA F/DIAPHRAM	1
6.4	760101-000699	SOCKET FLAT HEAD SCREW M6 70MM S/ST316 DIN7991	1
6.4	760107-000070	HELICAL SPRING PISTON 100 S/ST302	1
6.4	770104-000133	SHAPED SEAL NR 55 SHORE VALVE M102-104	2
7	760104-000081	STUD BOLT 1/2" UNC 92MM S/ST303	1
8	760104-000082	STUD BOLT 1/2" UNC 100MM S/ST304	3
9	760104-000084	STUD BOLT 1/2" UNC 108MM S/ST304	4
10	760103-000068	FLAT WASHER 1/2" SPECIAL C/ST ZINC PLATED OD1.57" THK3MM	8
11	760102-000096	HEX JAM NUT 1/2"UNC S/ST304 B18.2.2	1

**M103CL, M104C**

Pos.	Part No.	Description	Qty
12	760102-000052	HEX NUT 1/2"UNC C/ST ZINC PLATED B18.2.2	7
13	780101-000932	NIPPLE 1 1/2"X105MM BSP M PVC	1
14	760105-000036	RIVET BLIND 3X6MM S/ST316 DIN7337	4
16	700103-001749	ADI-P DC KIT PACKAGE ONE SOLENOID NO	1
16	700103-001765	ADI-P DC KIT PACKAGE TWO SOLENOIDS NO/NC	2
17	720501-000229	L-CONNECTOR 1/4"M X8MM BSPT ACETAL BLACK-BLUE TEFEN	2
18	720501-000190	PLUG 1/4"M BSPT PA66 BLUE TEFEN	2
19	720502-000017	CONTROL TUBE 8MM LDPE BLACK W/GREEN STRIPE TEFFEN	2
700194-000029	700194-000029	M102C-M104CL PREVENTIVE MAINTENANCE ONE YEAR	1