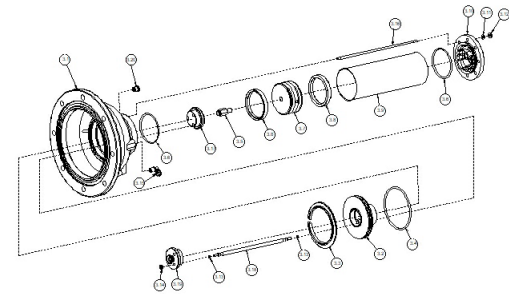
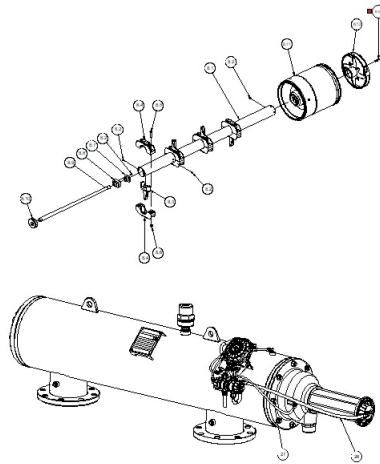
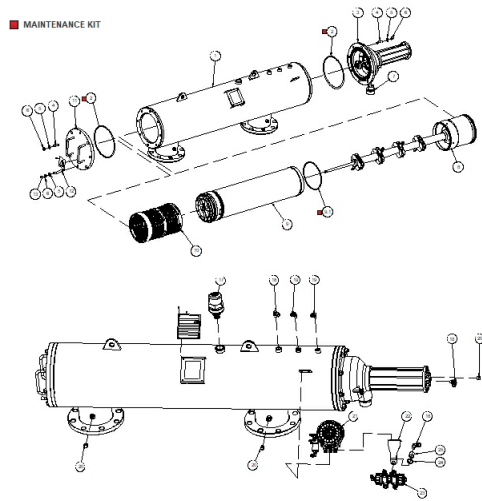


M104LPN, M106LP



M104LPN, M106LP

Pos.	Part No.	Description	Qty
	700194-000035	M104LPN-M110P PREVENTIVE MAINTENANCE ONE YEAR	1
1	710105-M104LPN	M104-LPN Filter Housing RAL5010 PLOYESTER - By Demand	1
1	710105-M106LP	M106-LP Filter Housing RAL5010 PLOYESTER - By Demand	1
2	770102-000174	PARKER O-RING 2-448 NBR 70 SHORE	2
3	700190-001541	COVER ASSY CAST-IRON W/PIS AND VALVE PISTON MOD	1
3.10	710103-000799	PLUG PISTON M104/6LP RPA M10X(L)(P)	1
3.1	710103-000819	M100 COVER PMPM 5010 CAST-IRON POLYESTER	1
3.11	760103-000094	FLAT WASHER M6 DIN125 S/ST316	8
3.12	760102-000097	NYLON INSERT LOCKNUT 1/4"UNC S/ST316 DIN985	8
3.13	770102-000058	PARKER O-RING 2-009 NBR 70 SHORE	10
3.14	760102-000078	HEX NUT 1/4"UNC S/ST316 B18.2.2	5
3.15	720501-000908	L-CONNECTOR 1/4"M X8MM BSPT RPP RED-BLUE TEFEN	1
3.16	710103-000903	ROD M104/6LP S/ST303 PISTON COVER ASSEMBLY	8
3.17	710104-000039	M104/6LP VALVE SEAT BRASS NR	1
3.18	710103-000895	SPACER BOLT VALVE M104/6LP S/ST303 PISTON COVER ASSEMBLY	3
3.19	710104-000040	M104/6LP VALVE BEARING BRASS RL (NEOPREN) COMBINED ASSY	1
3.2	710103-000901	SEAT SEAL M100 POM VALVE	1
3.20	720501-000190	PLUG 1/4"M BSPT PA66 BLUE TEFEN	1
3.3	710103-000902	RING RETAINING M104/6LP PVC PISTON COVER ASSEMBLY	1
3.4	770102-000156	PARKER O-RING 2-351 NBR 50 SHORE	1

M104LPN, M106LP

Pos.	Part No.	Description	Qty
3.5	710103-000869	ROD M104/6LP S/ST316 PISTON COVER ASSEMBLY	1
3.6	770102-000126	PARKER O-RING 2-237 NBR 70 SHORE NO FLASH	2
3.7	710103-000900	HOLDER CYLINDER SEAL M104/6LP POM PISTON COVER ASSEMBLY	1
3.8	770105-000019	U-CUP SEAL NBR OD95MM ID75MM H10MM 65 SHORE	2
3.9	710103-000843	CYLINDER 95MM M104/6LP S/ST316 POLISH F/PISTON	1
4	760104-000075	STUD BOLT 1/2" UNC 50MM S/ST303	15
5	760103-000077	FLAT WASHER M12 DIN125 C/ST ZINC PLATED	16
6	760102-000052	HEX NUT 1/2"UNC C/ST ZINC PLATED B18.2.2	16
7	780101-000611	REDUCER 2"x1 1/2" PP PLASSON	1
8	700190-001508	DIRT COL.A 4NOZ.+ ROTOR AND PART M104LP/106LP ASSY	1
8.10	710103-000802	PLUG TOP M104/6LP RPA DIRT COLLECTOR	1
8.1	710103-001103	BODY M100 PISTON S/ST304 F/DIRT COLLECTOR	1
8.11	710101-001614	M100 FLUSHING CHAMBER RPP BLACK	1
8.12	710101-001629	M100 TURBINE PISTON RPP BLACK	1
8.12.1	710103-011620	BEARING M100 PISTON K110/D2	1
8.2	760101-000688	PHILLIPS PAN TAPPING SCREW NO.8 3/8" S/ST316 ASME B18.6.4 TYPE-AB	12
8.3	710101-000704	F100 SUCTION NOZZLE OVAL RPA BLACK	4
8.4	710101-000693	F100 CLIP RPA NATURAL	8
8.5	760101-000417	HEX BOLT PARTIAL THRD 1/4"UNC 1 1/4" S/ST304 ASME B18.2.1	8
8.6	760102-000097	NYLON INSERT LOCKNUT 1/4"UNC S/ST316 DIN985	8

M104LPN, M106LP

Pos.	Part No.	Description	Qty
8.7	710103-010021	CONNECTOR M100 BRASS F/DIRT COLLECTOR	1
8.8	710103-000800	CENTRAL SUPPORT COLLECTOR M104/6LP RPA	1
8.9	710103-001483	SHAFT DIRT COLLECTOR M300-3000A BRASS	1
9	700101-002070	MOLDED WEAWEWIRE SCREEN S/ST316L 6150SQ.CM 50MIC M100 NBR SEALS	1
9	700101-002073	MOLDED WEAWEWIRE SCREEN S/ST316L 6150SQ.CM 130MIC M100 NBR SEALS	1
9	700101-002074	MOLDED WEAWEWIRE SCREEN S/ST316L 6150SQ.CM 300MIC M100 NBR SEALS	1
9	700101-002075	MOLDED WEAWEWIRE SCREEN S/ST316L 6150SQ.CM 200MIC M100 NBR SEALS	1
9	700101-002077	MOLDED WEAWEWIRE SCREEN S/ST316L 6150SQ.CM 80MIC M100 NBR SEALS	1
9	700101-002078	MOLDED WEAWEWIRE SCREEN S/ST316L 6150SQ.CM 100MIC M100 NBR SEALS	1
9	700101-002079	MOLDED WEAWEWIRE SCREEN S/ST316L 6150SQ.CM 500MIC M100 NBR SEALS	1
9.1	770102-000217	DOWTY O-RING SEAL 674 ID=208.92MM TH=6.99MM NBR 55 SHORE	2
10	700190-004630	INJECTED COARSE SCREEN ASSEMBLY M104/6 LP/XLP	1
11	710105-000362	M104/6LP COVER PKPK 5010 ST.37-2 POLYESTER	1
12	760104-000081	STUD BOLT 1/2" UNC 92MM S/ST303	1
13	760190-000666	RUBBER BOLT COVER 1/2" BLACK	1
16	760105-000036	RIVET BLIND 3X6MM S/ST316 DIN7337	4
17	730108-000120	AIR RELEASE VALVE A.R.I BARAK D-040-P 1" BSPT NYLON3 16BAR W/3/8" DRAIN OUT	1
18	720501-000172	L-CONNECTOR 3/8"M X12MM BSPT ACETAL BLACK TEFEN	3
19	720501-000229	L-CONNECTOR 1/4"M X8MM BSPT ACETAL BLACK-BLUE TEFEN	2
20	720501-000190	PLUG 1/4"M BSPT PA66 BLUE TEFEN	3

M104LPN, M106LP

Pos.	Part No.	Description	Qty
21	700103-001763	ADI-P DC KIT PACKAGE ONE SOLENOID NC	1
21	700103-001765	ADI-P DC KIT PACKAGE TWO SOLENOIDS NO/NC	1
22	710103-011846	BRACKET M100 PISTON S/ST304 BOOSTER	1
23	700190-006136	AMIAD ACCELERATOR ASSEMBLY	1
24	760103-000128	FLAT WASHER M16 DIN125 S/ST316	1
25	720501-000157	COUPLING 3/8"F BSPT PA66 BLUE TEFEN	1
26	720502-000021	CONTROL TUBE 12MM LDPE BLACK TEFFEN	1
27	720502-000017	CONTROL TUBE 8MM LDPE BLACK W/GREEN STRIPE TEFFEN	2
700194-000035	700194-000035	M104LPN-M110P PREVENTIVE MAINTENANCE ONE YEAR	1