

amiad[®]
ORIGINAL
SINCE 1962



2"-3" Spin Klin™

Polymeric,
modular automatic
disc filter

MASTERS OF FILTRATION



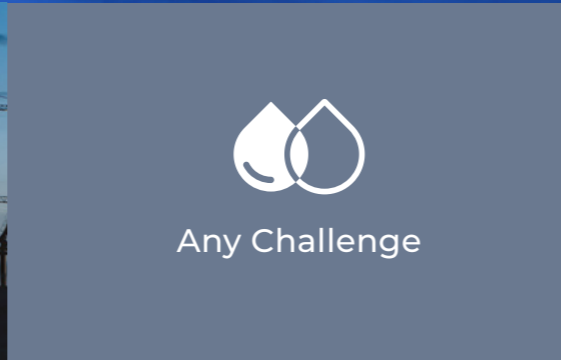
Any Technology



Anywhere



Any Challenge



Any Water Source



Your water challenge.
Our filtration solution.

Amiad Water Systems is a world leader in water treatment and filtration solutions. For over 57 years Amiad has devoted its passion and commitment to developing a comprehensive line of water filtration systems for a wide range of industrial applications.

Our solutions are integrated into the core of water filtration systems in the following industries and applications: metal, plastic, energy, chemical, water treatment and salt water disposal.

We develop filters that are able to cope with any water quality, in any geographical location.

We've spent years mastering filtration technology so we can offer a wide range of filters for every industrial need, including screen, disc, microfiber or media technology.



Disc Technology



Screen Technology



Media Technology



Microfiber Technology

We consider every challenge as an opportunity to work side by side with our customers to solve their problems.

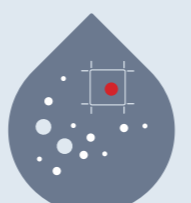
We'll go anywhere to ensure our filters perform as expected, 24/7, every day of the year.

When you want a high-performance solution for your water filtration system, consult with Amiad. We focus on doing what we do best.

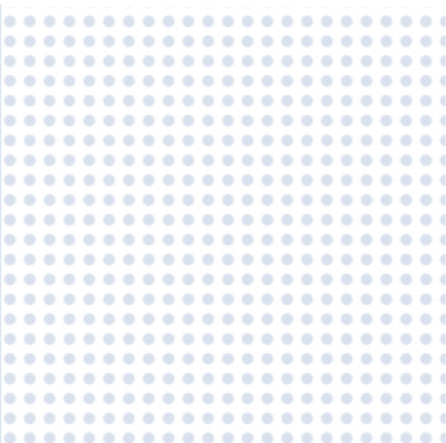
Amiad. Masters of Filtration.



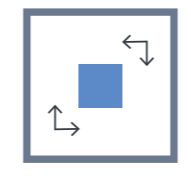
2"-3" SPIN KLIN™ FEATURES



Micron-precise depth
filtration of solids



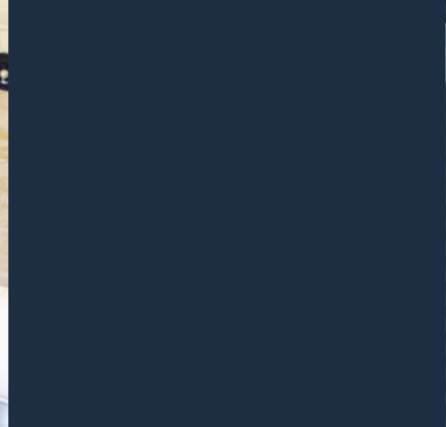


Reliable and durable

Compact design





Polymeric

Low water and energy
consumption



Minimal maintenance

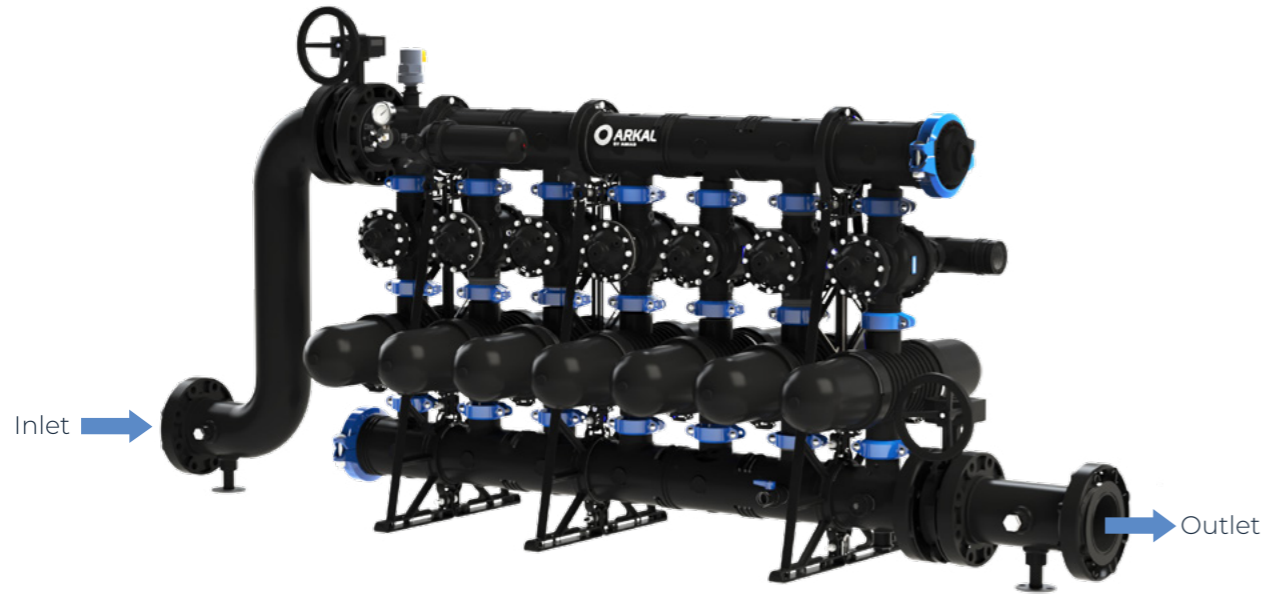



Scan to watch the
SpinKlin™ Operation
Video

2"-3" SPIN KLIN™

Typical installation

7 X 3" Spin Klin™ Battery



Construction materials	
Filter housing & lid	RPA (Reinforce Polyamide) or RPP (Reinforce Polypropylene)
Disc elements	PP (Polypropylene) or PA (Polyamide)
Backwash valves	RPA (Reinforce Polyamide) or RPP (Reinforce Polypropylene)
Manifolds	PP (Polypropylene)
Seals	NBR or EPDM, (Viton optional)
Control tubing	PE or PA

Disc material type availability according to filtration degree:

10	20	40	55	70	100	130	200	400
PP	PP, PA	PP, PA	PP, PA	PP, PA	PP, PA	PP, PA	PP, PA	PP

PP = Polypropylene disc PA = Nylon disc

2" Spin Klin™



Filter Type	2 unit battery	3 unit battery	4 unit battery	
General data				
Max. working pressure*	10 bar (145 psi)			
Min. backwash pressure	2.8 bar (40.6 psi)			
Maximum recommended flow rate	100µ	30 m³/h (132 gpm)	45 m³/h (198 gpm)	60 m³/h (264 gpm)
	55µ	20 m³/h (88 gpm)	30 m³/h (132 gpm)	40 m³/h (176 gpm)
	20µ	10 m³/h (44 gpm)	15 m³/h (66 gpm)	20 m³/h (88 gpm)
Available filtration degrees	400, 200, 130, 100, 70, 55, 40, 20 micron			
Filtration volume	2,296 cm³ (140 in³)	3,444 cm³ (210 in³)	4,592 cm³ (280 in³)	
Weight (empty)	80 mm (3")	100 mm (4")		
Max. working temperature*	60°C (140°F)			
Dry weight standard	27 kg (59.5 lb)	38 kg (83.7 lb)	49 kg (108 lb)	

*Maximum operating pressure and temperature are interdependent parameters and are given for general reference only. Please consult your authorized Amiad representative for the application specific parameters.

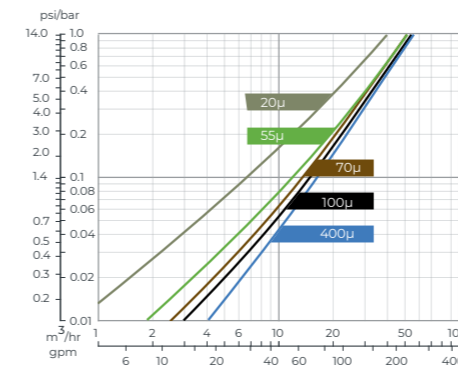
Backwash data

Drain connection	50 mm (2")
Flushing time	20 sec
Min. flow for backwash	10 m³/h (44 gpm)

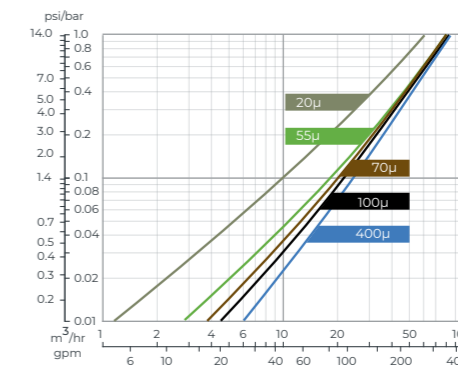
** Air Aided system flushing time and volume depend on air tank size.

Head Loss Graphs (in clean water)

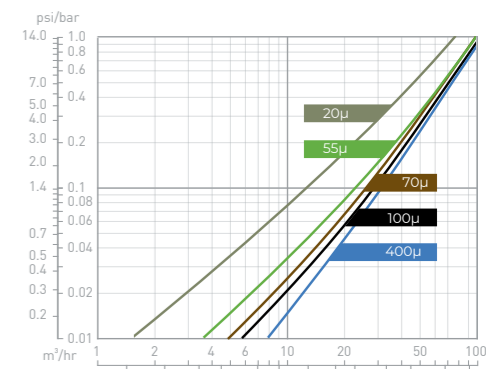
2 x 2" Spin Klin™ Battery



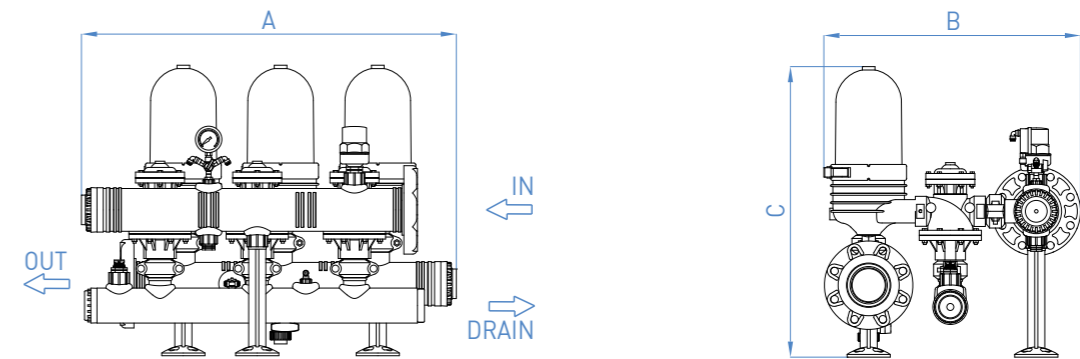
3 x 2" Spin Klin™ Battery



4 x 2" Spin Klin™ Battery



Typical Installation Drawing



Dimensions		2 unit battery	3 unit battery	4 unit battery
A	Length	706 mm (28")	964 mm (38")	1,214 mm (48")
B	Width	660 mm (26")		
C	Height	747 mm (30")		

2"-3" SPIN KLIN™

2" Spin Klin™ External Source

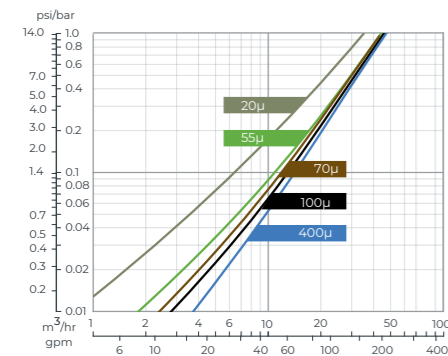


Filter Type	2 unit battery	3 unit battery	4 unit battery	
General data				
Max. working pressure*	10 bar (145 psi)			
Min. backwash pressure	2.8 bar (40.6 psi)			
Maximum recommended flow rate	100μ	30 m³/h (132 gpm)	45 m³/h (198 gpm)	60 m³/h (264 gpm)
	55μ	20 m³/h (88 gpm)	30 m³/h (132 gpm)	40 m³/h (176 gpm)
	20μ	10 m³/h (44 gpm)	15 m³/h (66 gpm)	20 m³/h (88 gpm)
Available filtration degrees	400, 200, 130, 100, 70, 55, 40, 20 micron			
Filtration volume	2,296 cm³ (140 in³)	3,444 cm³ (210 in³)	4,592 cm³ (280 in³)	
Inlet/Outlet diameter	80 mm (3")	100 mm (4")		
Max. working temperature*	60°C (140°F)			
Dry weight EX.S. backwash	46 kg (102 lb)	59 kg (131 lb)	73 kg (162 lb)	
Backwash data				
Drain connection	50 mm (2")			
Flushing time	15 sec			
Min. flow for backwash	10 m³/h (44 gpm)			

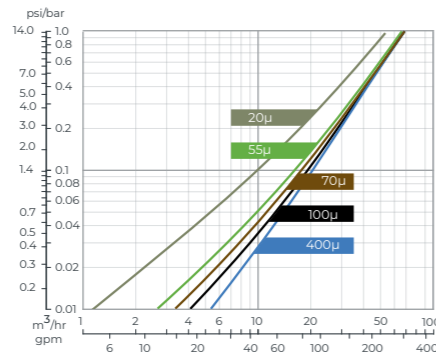
* Maximum operating pressure and temperature are interdependent parameters and are given for general reference only. Please consult your authorized Amiad representative for the application specific parameters.

Head Loss Graphs (in clean water)

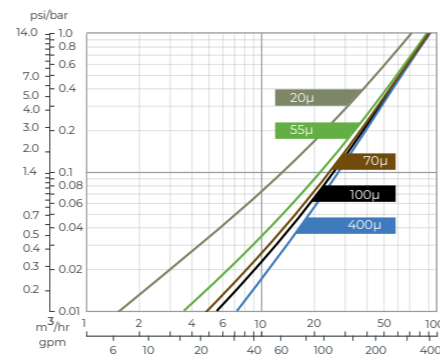
2 x 2" Spin Klin™ Battery EX.S.



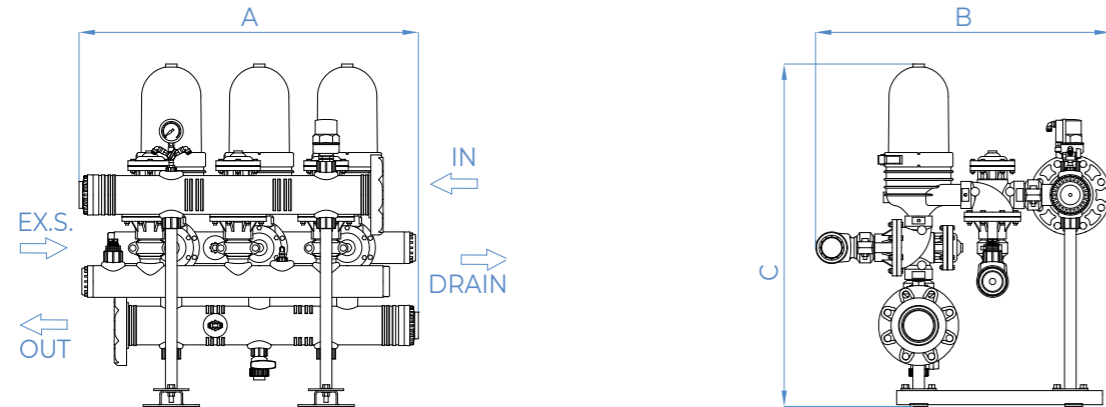
3 x 2" Spin Klin™ Battery EX.S.



4 x 2" Spin Klin™ Battery EX.S.



Typical Installation Drawing



Dimensions		2 unit battery	3 unit battery	4 unit battery
A	Length	706 mm (28")	964 mm (38")	1214 mm (48")
B	Width		839 mm (33")	
C	Height		973 mm (38")	

2" Spin Klin™ Air Aided



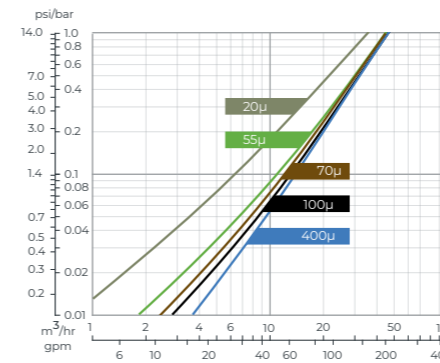
Filter Type	2 unit battery	3 unit battery	4 unit battery	
General data				
Max. working pressure*	10 bar (145 psi)			
Min. down stream pressure	1 bar (15 psi)			
Maximum recommended flow rate	100μ	30 m³/h (132 gpm)	45 m³/h (198 gpm)	60 m³/h (264 gpm)
	55μ	20 m³/h (88 gpm)	30 m³/h (132 gpm)	40 m³/h (176 gpm)
	20μ	10 m³/h (44 gpm)	15 m³/h (66 gpm)	20 m³/h (88 gpm)
Available filtration degrees	400, 200, 130, 100, 70, 55, 40, 20 micron			
Filtration volume	2,296 cm³ (140 in³)	3,444 cm³ (210 in³)	4,592 cm³ (280 in³)	
Inlet/Outlet diameter	80 mm (3")	100 mm (4")		
Max. working temperature*	60°C (140°F)			
Dry weight standard	59 kg (131 lb)	73 kg (162 lb)	89 kg (197 lb)	
Air flow requirements	270 l/min (71 gpm) at 6-8 bar (87-116 psi)			
Backwash data				
Valve drain port	50 mm (2")			
Flushing time**	7 sec			
Volume of backwash (not include air)**	12 liter (3.2 gallons)			

*Maximum operating pressure and temperature are interdependent parameters and are given for general reference only. Please consult your authorized Amiad representative for the application specific parameters.

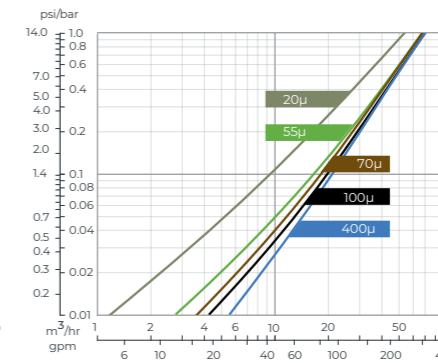
**Air Aided system flushing time and volume depend on air tank size.

Head Loss Graphs (in clean water)

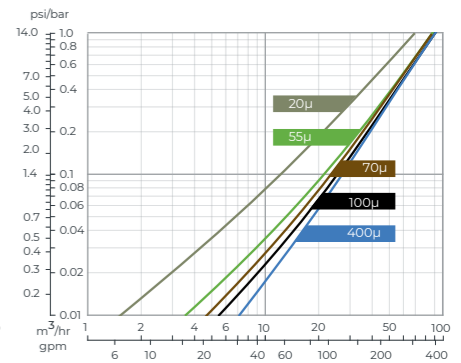
2 x 2" Spin Klin™ Battery AAF



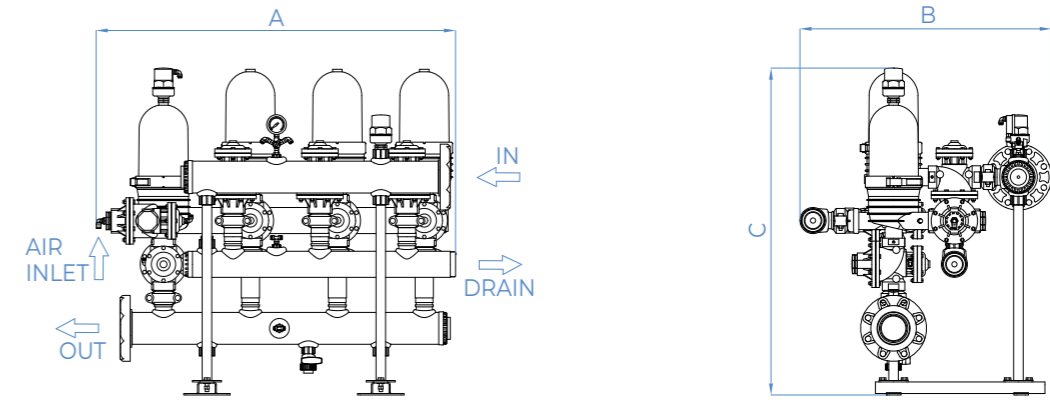
3 x 2" Spin Klin™ Battery AAF



4 x 2" Spin Klin™ Battery AAF



Typical Installation Drawing



Dimensions		2 unit battery	3 unit battery	4 unit battery
A	Length	941 mm (37")	1,241 mm (49")	1,541 mm (61")
B	Width		868 mm (34")	
C	Height		1,128 mm (44")	

2"-3" SPIN KLIN™

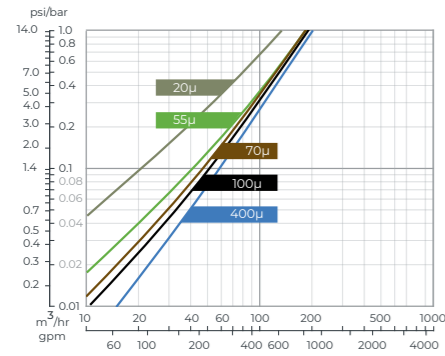
3" Spin Klin™



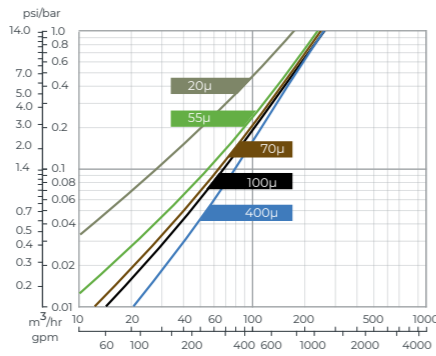
Filter Type		3 unit battery	4 unit battery	5 unit battery
General data				
Max. working pressure*		10 bar (145 psi)		
Min. backwash pressure		2.8 bar (40.6 psi)		
Maximum recommended flow rate	100µ	90 m³/h (396 gpm)	120 m³/h (527 gpm)	150 m³/h (660 gpm)
	55µ	60 m³/h (264 gpm)	80 m³/h (352 gpm)	100 m³/h (440 gpm)
	20µ	30 m³/h (132 gpm)	40 m³/h (176 gpm)	50 m³/h (220 gpm)
Available filtration degrees		400, 200, 130, 100, 70, 55, 40, 20 micron		
Filtration volume		6,888 cm³ (420 in³)	9,184 cm³ (560 in³)	11,480 cm³ (700 in³)
Inlet/Outlet diameter		150 mm (6")		
Max. working temperature*		60°C (140°F)		
Dry weight standard		95 kg (209 lb)	115 kg (253 lb)	135 kg (297 lb)
* Maximum operating pressure and temperature are interdependent parameters and are given for general reference only. Please consult your authorized Amiad representative for the application specific parameters.				
Backwash data				
Drain connection		80 mm (3")		
Flushing time		20 sec		
Min. flow for backwash		20 m³/h (88 gpm)		

Head Loss Graphs (in clean water)

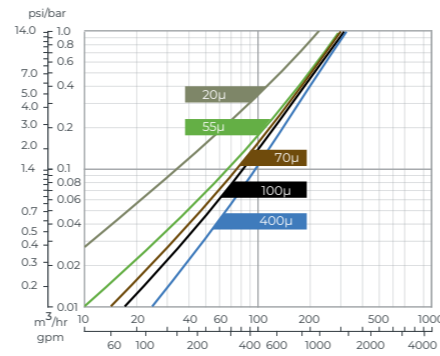
3 x 3" Spin Klin™ Battery



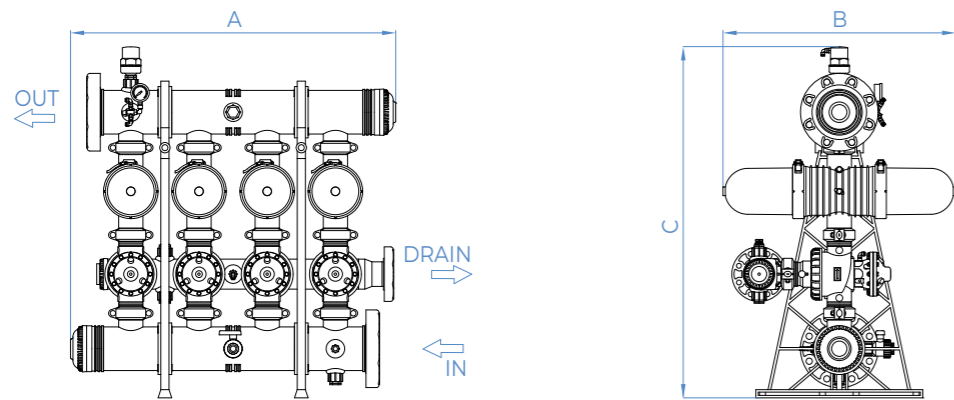
4 x 3" Spin Klin™ Battery



5 x 3" Spin Klin™ Battery



Typical Installation Drawing



Dimensions		3 unit battery	4 unit battery	5 unit battery
A	Length	942 mm (37 3/32")	1,192 mm (46 15/16")	1,442 mm (56 25/32")
B	Width	853 mm (33 19/32")		
C	Height	1,287 mm (50 21/32")		

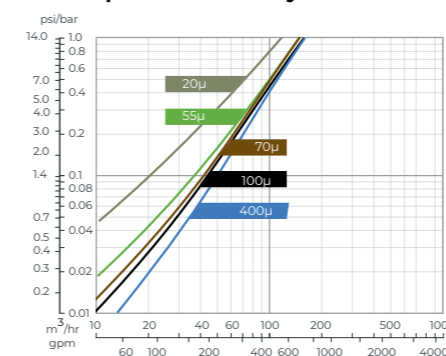
3" Spin Klin™ External Source



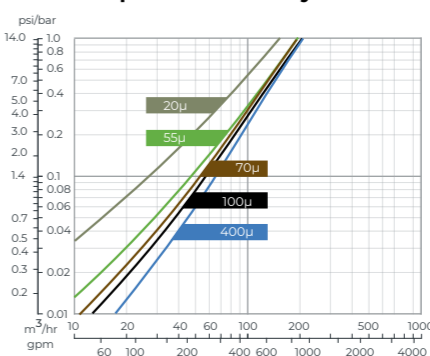
Filter Type		3 unit battery	4 unit battery	5 unit battery
General data				
Max. working pressure*		10 bar (145 psi)		
Min. backwash pressure		2.8 bar (40.6 psi)		
Maximum recommended flow rate	100µ	90 m³/h (396 gpm)	120 m³/h (527 gpm)	150 m³/h (660 gpm)
	55µ	60 m³/h (264 gpm)	80 m³/h (352 gpm)	100 m³/h (440 gpm)
	20µ	30 m³/h (132 gpm)	40 m³/h (176 gpm)	50 m³/h (220 gpm)
Available filtration degrees		400, 200, 130, 100, 70, 55, 40, 20 micron		
Filtration volume		6,888 cm³ (420 in³)	9,184 cm³ (520 in³)	11,480 cm³ (700 in³)
Inlet/Outlet diameter		150 mm (6")		
Max. working temperature*		60°C (140°F)		
Weight [empty] EX.S. backwash		110 kg (242 lb)	130 kg (286 lb)	150 kg (330 lb)
* Maximum operating pressure and temperature are interdependent parameters and are given for general reference only. Please consult your authorized Amiad representative for the application specific parameters.				
Backwash data				
Valve drain port		80 mm (3")		
Flushing time		15 sec		
Min. flow for backwash		20 m³/h (88 gpm)		

Head Loss Graphs (in clean water)

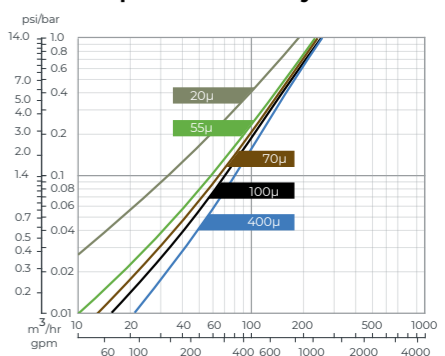
3 x 3" Spin Klin™ Battery EX.S.



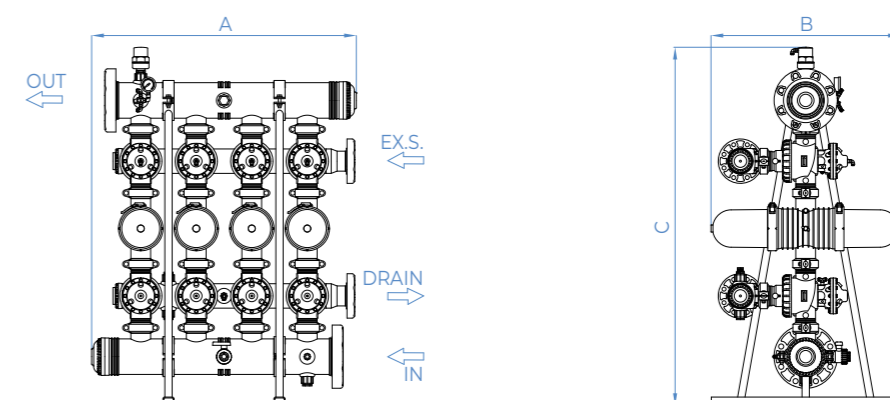
4 x 3" Spin Klin™ Battery EX.S.



5 x 3" Spin Klin™ Battery EX.S.



Typical Installation Drawing



Dimensions		3 unit battery	4 unit battery	5 unit battery
A	Length	942 mm (37 3/32")	1,192 mm (46 15/16")	1,442 mm (56 25/32")
B	Width	853 mm (33 19/32")		
C	Height	1,614 mm (63 17/32")		



Headquarters

Amiad Water Systems Ltd.

Web: www.amiad.com
E-mail: info@amiad.com

The Americas

USA

Amiad USA Inc.

Web: us.amiad.com | E-mail: infousa@amiad.com

Mexico

Amiad México SA DE CV,

Web: es.amiad.com | E-mail: infomexico@amiad.com

Asia

India

Amiad Filtration India Pvt Limited

Web: amiad.com | E-mail: info-india@amiad.com

China

Amiad China (Yixing Taixing Environtec Co., Ltd.)

Web: cn.amiad.com | E-mail: infochina@amiad.com

South-East Asia

Filtration & Control Systems Pte. Ltd.

Web: amiad.com | E-mail: info-singapore@amiad.com

Australia

Amiad Australia Pty Ltd.

Web: au.amiad.com | E-mail: sales@amiad.com

Europe

Amiad Water Systems Europe SAS

Web: amiad.com | E-mail: industry-europe@amiad.com

German branch office

Web: de.amiad.com | E-mail: industry-de@amiad.com

United Kingdom

Amiad Water Systems UK Limited

Web: amiad.com | E-mail: info-uk@amiad.com



 **amiad** INDUSTRY

MASTERS OF FILTRATION

www.amiad.com

910101-000559/05.2022

Copyright © 2019 Amiad Water Systems Ltd. All rights reserved. The contents of this catalogue including without limitation all information and materials, images, illustrations, designs, icons, photographs, graphical presentations, designs, literary works, data, drawings, slogans, phrases, names, trademarks, titles and any other such materials that appear in this catalogue (collectively, the "Contents") are the sole property of Amiad Water Systems Ltd. ("Amiad"). Amiad has sole and exclusive right, title and interest in the Contents, including any intellectual property rights, whether registered or not, and all know-how contained or embodied therein. You may not reproduce, publish, transmit, distribute, display, modify, create derivative works from, sell or participate in any sale of, or exploit in any way, in whole or in part, any of the Contents or the catalogue. Any use of the catalogue or the Contents, other than for personal use, requires the advanced written permission of Amiad.