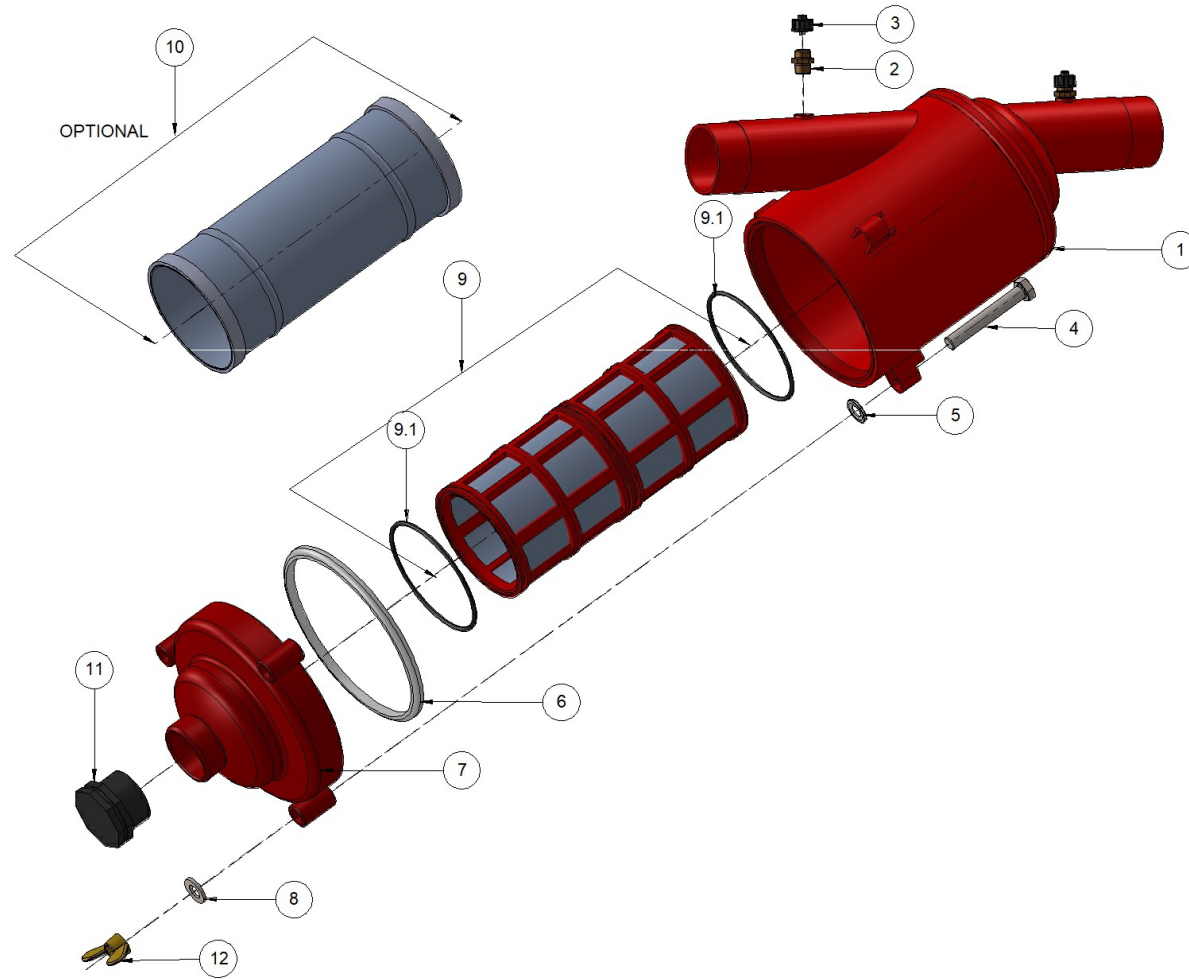


2" Steel Filter



2" Steel Filter

Pos.	Part No.	Description	Qty
1	710105-Steel 2"	FILTER HOUSING 2" IN-LINE - BY DEMAND	1
2	710103-000591	NIPPLE 1/4" BRASS BSPT PRESSURE CHECK	2
3	700190-001305	PRESSURE CHECK POINT ASSEMBLY	2
4	760101-000322	HEX BOLT PARTIAL THRD M12 80MM C/ST DIN931 ZINC NICKEL PLATED	3
5	710101-000632	2-4" METAL RING F/SCREW M12 PP BLACK	3
6	770104-000083	SHAPED SEAL NBR 70 SHORE SERVICE PORT SAF-4500	1
7	710105-000057	METAL LID 2" PKPK 3002 ST.37-2 POLYESTER	1
8	760103-000077	FLAT WASHER M12 DIN125 C/ST ZINC PLATED	3
9	700101-000385	MOLDED WEAWEWIRE SCREEN S/ST316L 800SQ.CM 50MIC AMIAD 2" NBR SEALS	1
9	700101-000386	MOLDED WEAWEWIRE SCREEN S/ST316L 800SQ.CM 80MIC AMIAD 2" NBR SEALS	1
9	700101-000387	MOLDED WEAWEWIRE SCREEN S/ST316L 800SQ.CM 100MIC AMIAD 2" NBR SEALS	1
9	700101-000388	MOLDED WEAWEWIRE SCREEN S/ST316L 800SQ.CM 130MIC AMIAD 2" NBR SEALS	1
9	700101-000389	MOLDED WEAWEWIRE SCREEN S/ST316L 800SQ.CM 200MIC AMIAD 2" NBR SEALS	1
9	700101-000390	MOLDED WEAWEWIRE SCREEN S/ST316L 800SQ.CM 300MIC AMIAD 2" NBR SEALS	1
9	700101-000391	MOLDED WEAWEWIRE SCREEN S/ST316L 800SQ.CM 500MIC AMIAD 2" NBR SEALS	1
9.1	770102-000130	PARKER O-RING 2-242 NBR 70 SHORE NO FLASH	2
10	700101-000380	PERFORATED SCREEN S/ST316L 800SQ.CM 500MIC AMIAD 2"	1
10	700101-000381	PERFORATED SCREEN S/ST316L 800SQ.CM 800MIC AMIAD 2"	1
10	700101-000382	PERFORATED SCREEN S/ST316L 800SQ.CM 1500MIC AMIAD 2"	1
10	700101-000383	PERFORATED SCREEN S/ST316L 800SQ.CM 2500MIC AMIAD 2"	1

---

---

2" Steel Filter

Pos.	Part No.	Description	Qty
10	700101-000384	PERFORATED SCREEN S/ST316L 800SQ.CM 3500MIC AMIAD 2"	1
11	780101-000948	PLUG 1 1/2" BSP M PP PLASSON	1
12	760102-000113	WING NUT M12 C/ST ZINC NICKEL PLATED DIN314	3