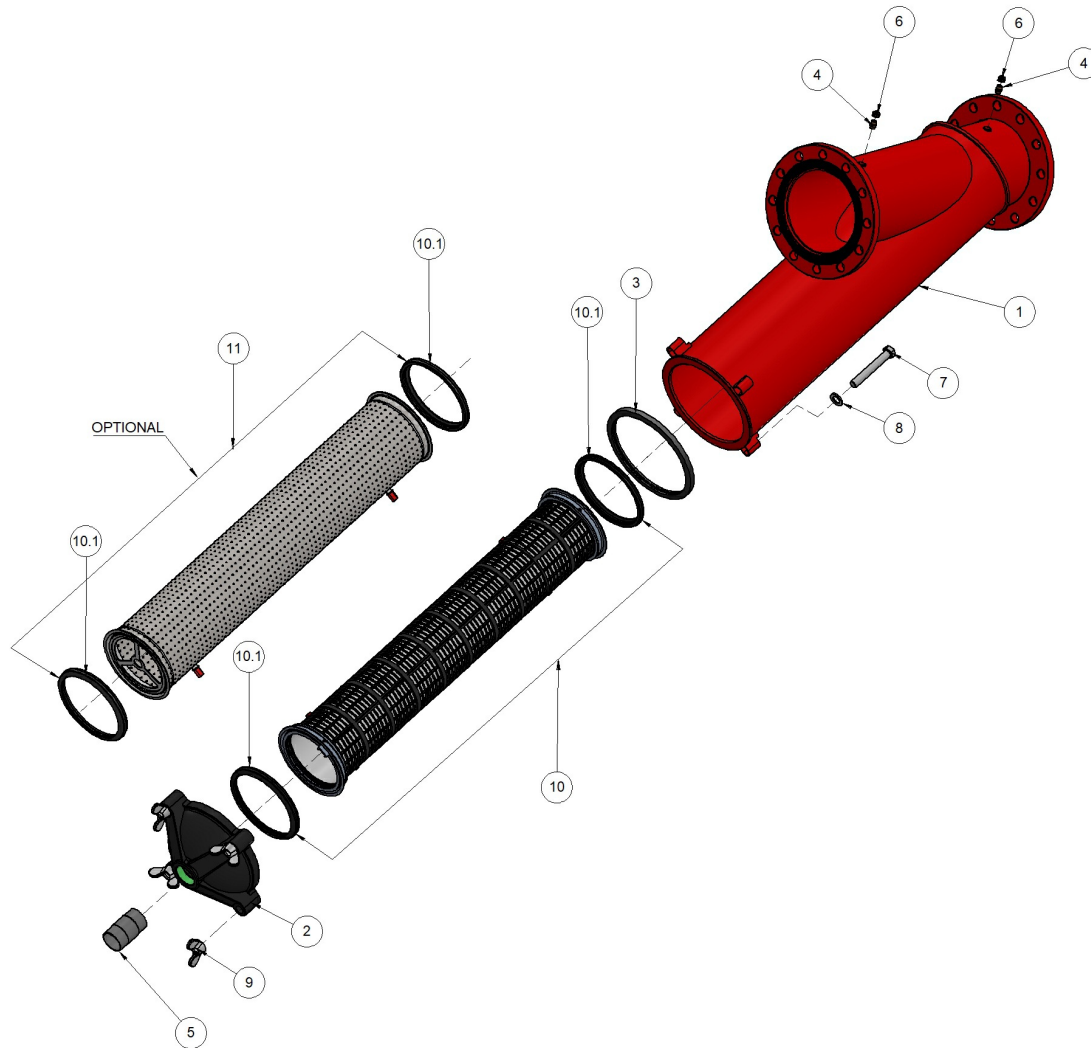


6" S / 8" In-line Steel Filter



6" S / 8" In-line Steel Filter

Pos.	Part No.	Description	Qty
1	710105-Steel 6"S	FILTER HOUSING 6"S IN-LINE - BY DEMAND	1
1	710105-Steel 8"	FILTER HOUSING 8" IN-LINE - BY DEMAND	1
2	710103-000679	LID 6"-14" 8" METAL POLYESTER W/2"THR	1
3	770104-000089	HYDRAULIC SEAL NBR 45 SHORE POLYESTER LID STEEL FILTER	1
4	710103-000591	NIPPLE 1/4" BRASS BSPT PRESSURE CHECK	2
5	780101-000937	NIPPLE 2"X100MM PVC	1
6	700190-001305	PRESSURE CHECK POINT ASSEMBLY	2
7	760101-000297	HEX BOLT PARTIAL THRD 3/4"UNC 5" C/ST ASME B18.2.1 Z.PLATED	4
8	760103-000070	FLAT WASHER M20 DIN125 C/ST ZINC PLATED	4
9	760102-000076	WING NUT 3/4"UNC C/ST ZINC NICKEL PLATED B18.17	4
10	700101-000513	MOLDED WEAWEWIRE SCREEN S/ST316L 5800SQ.CM 80MIC 8" METAL	1
10	700101-000514	MOLDED WEAWEWIRE SCREEN S/ST316L 5800SQ.CM 100MIC 8" METAL	1
10	700101-000515	MOLDED WEAWEWIRE SCREEN S/ST316L 5800SQ.CM 130MIC 8" METAL	1
10	700101-000516	MOLDED WEAWEWIRE SCREEN S/ST316L 5800SQ.CM 200MIC 8" METAL	1
10	700101-000517	MOLDED WEAWEWIRE SCREEN S/ST316L 5800SQ.CM 300MIC 8" METAL	1
10	700101-000518	MOLDED WEAWEWIRE SCREEN S/ST316L 5800SQ.CM 500MIC 8" METAL	1
10.1	770104-000080	HYDRAULIC SEAL EPDM YELLOW DOT 70 SHORE SCREEN STEEL FILTER	2
11	700101-000508	PERFORATED SCREEN S/ST316L 5800SQ.CM 1500MIC 8" METAL	1
11	700101-000509	PERFORATED SCREEN S/ST316L 5800SQ.CM 2500MIC 8" METAL	1
11	700101-000510	PERFORATED SCREEN S/ST316L 5800SQ.CM 3500MIC 8" METAL	1

---

---

6" S / 8" In-line Steel Filter

Pos.	Part No.	Description	Qty
11	700101-000511	PERFORATED SCREEN S/ST316L 5800SQ.CM 500MIC 8" METAL	1
11	700101-000512	PERFORATED SCREEN S/ST316L 5800SQ.CM 800MIC 8" METAL	1