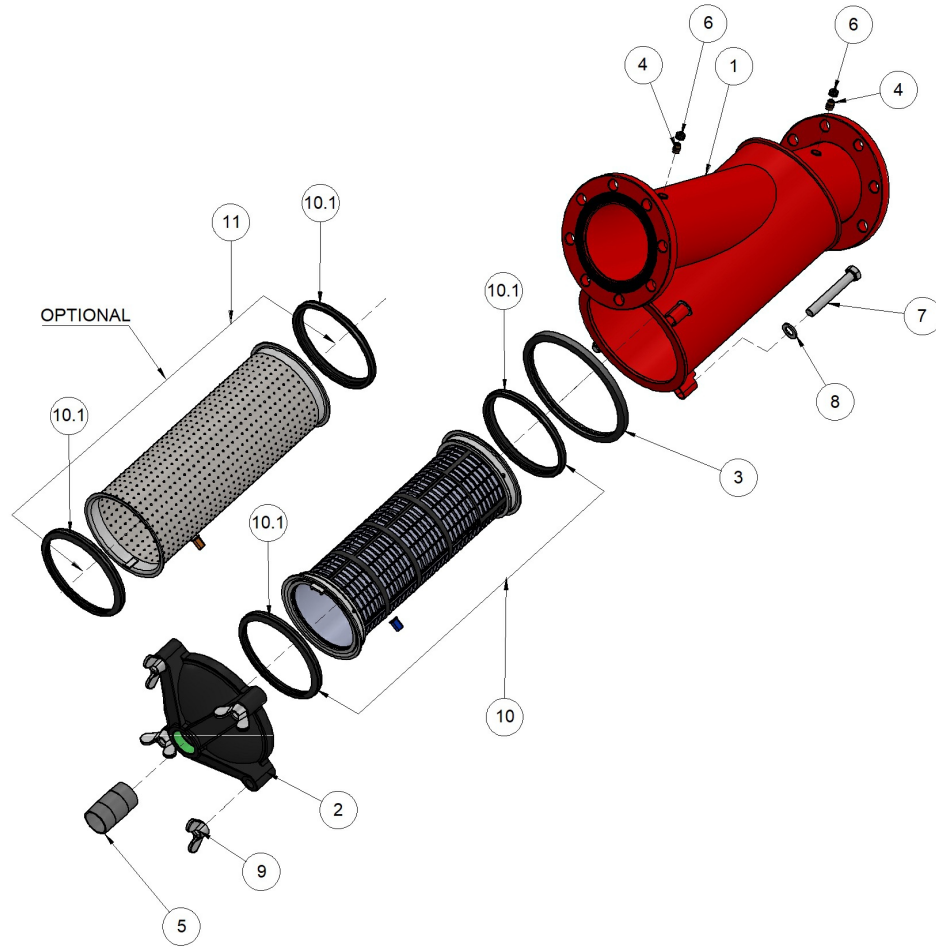


4" S / 6" C Steel Filter



4" S / 6" C Steel Filter

Pos.	Part No.	Description	Qty
1	710105-Steel 4"S	FILTER HOUSING 4"S IN-LINE - BY DEMAND	1
1	710105-Steel 6"C	FILTER HOUSING 6"C IN-LINE - BY DEMAND	1
2	710103-000679	LID 6"-14" 8" METAL POLYESTER W/2"THR	1
3	770104-000089	HYDRAULIC SEAL NBR 45 SHORE POLYESTER LID STEEL FILTER	1
4	710103-000591	NIPPLE 1/4" BRASS BSPT PRESSURE CHECK	2
5	780101-000937	NIPPLE 2"X100MM PVC	1
6	700190-001305	PRESSURE CHECK POINT ASSEMBLY	2
7	760101-000297	HEX BOLT PARTIAL THRD 3/4"UNC 5" C/ST ASME B18.2.1 Z.PLATED	4
8	760103-000070	FLAT WASHER M20 DIN125 C/ST ZINC PLATED	4
9	760102-000076	WING NUT 3/4"UNC C/ST ZINC NICKEL PLATED B18.17	4
10	700101-000487	MOLDED WEAWEWIRE SCREEN S/ST316L 2800SQ.CM 80MIC 6" METAL	1
10	700101-000488	MOLDED WEAWEWIRE SCREEN S/ST316L 2800SQ.CM 100MIC 6" METAL	1
10	700101-000489	MOLDED WEAWEWIRE SCREEN S/ST316L 2800SQ.CM 130MIC 6" METAL	1
10	700101-000490	MOLDED WEAWEWIRE SCREEN S/ST316L 2800SQ.CM 200MIC 6" METAL	1
10	700101-000491	MOLDED WEAWEWIRE SCREEN S/ST316L 2800SQ.CM 300MIC 6" METAL	1
10	700101-000492	MOLDED WEAWEWIRE SCREEN S/ST316L 2800SQ.CM 500MIC 6" METAL	1
10.1	770104-000080	HYDRAULIC SEAL EPDM YELLOW DOT 70 SHORE SCREEN STEEL FILTER	2
11	700101-000482	PERFORATED SCREEN S/ST316L 2800SQ.CM 1500MIC 6" METAL	1
11	700101-000483	PERFORATED SCREEN S/ST316L 2800SQ.CM 2500MIC 6" METAL	1
11	700101-000484	PERFORATED SCREEN S/ST316L 2800SQ.CM 3500MIC 6" METAL	1

4" S / 6" C Steel Filter

Pos.	Part No.	Description	Qty
11	700101-000485	PERFORATED SCREEN S/ST316L 2800SQ.CM 500MIC 6" METAL	1
11	700101-000486	PERFORATED SCREEN S/ST316L 2800SQ.CM 800MIC 6" METAL	1