



Backflow Prevention

375 Series RPZ

20-25mm

Application

Designed for installation on potable water lines to protect against both backsiphonage and backpressure of contaminated water into the potable water supply. Reduced Pressure Zone Device Assembly shall provide protection where a potential health hazard exists. (High Hazard)

Standards Compliance

Australian WaterMark (AS/NZS 2845.1) Certified Lic. 1379



WATERMARK
AS/NZS 2845.1
LIC. WMKA1379



LEAD FREE

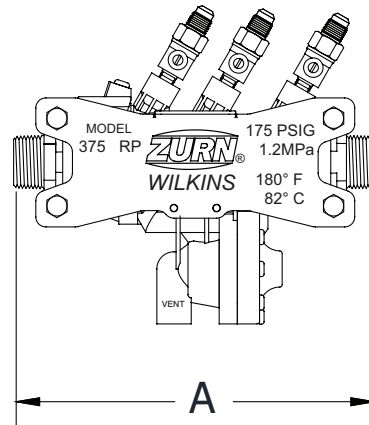
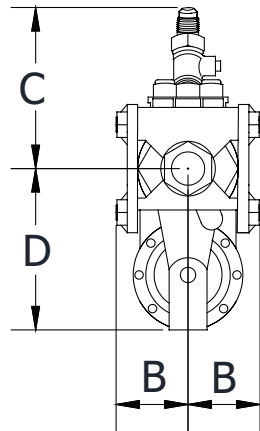


Materials

Housing	Reinforced Nylon
Fasteners	Stainless Steel, 300 Series
Elastomers	Silicone, Buna Nitrile
Internals	Delrin, Nylon
Springs	Stainless steel, 300 series
Tailpieces	Cast Bronze, Lead Free
Struts	Stainless steel, 300 series
End connections	ISO 7.1 R Tapered Pipe Thread
Test connections	1/4" SAE 45° Flare

Operating Parameters

Maximum working water pressure	1200kPa
Maximum working water temperature	82°C
Hydrostatic test pressure	2400kPa



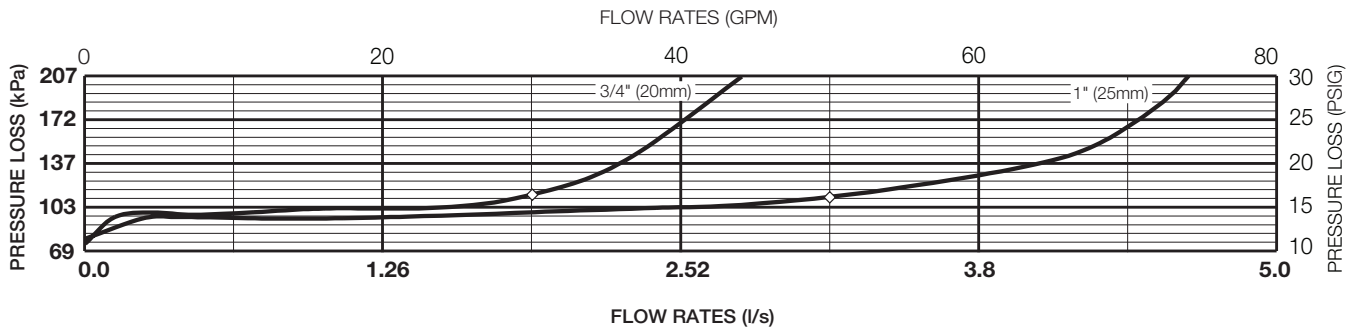
Dimensions & Weights (do not include pkg.)

VALVE SIZE	ZURN CODE (valve only)	DIMENSIONS (approximate)				WEIGHT (valve only)
		A	B	C	D	
mm		mm	mm	mm	mm	kg
20	34-375LFTBT	181	41	85	98	2.1
25	1-375LFTBT	225	57	97	102	3.7

Zurn Industries, LLC | Wilkins
1747 Commerce Way, Paso Robles, CA U.S.A. 93446
In New Zealand | Deeco Services Ltd.
35 Wakefield Street, Alicetown 5010, New Zealand Ph. 04 568 5293

zurn.com.au | deeco.co.nz

MODEL 375 20 & 25mm (STANDARD & METRIC)

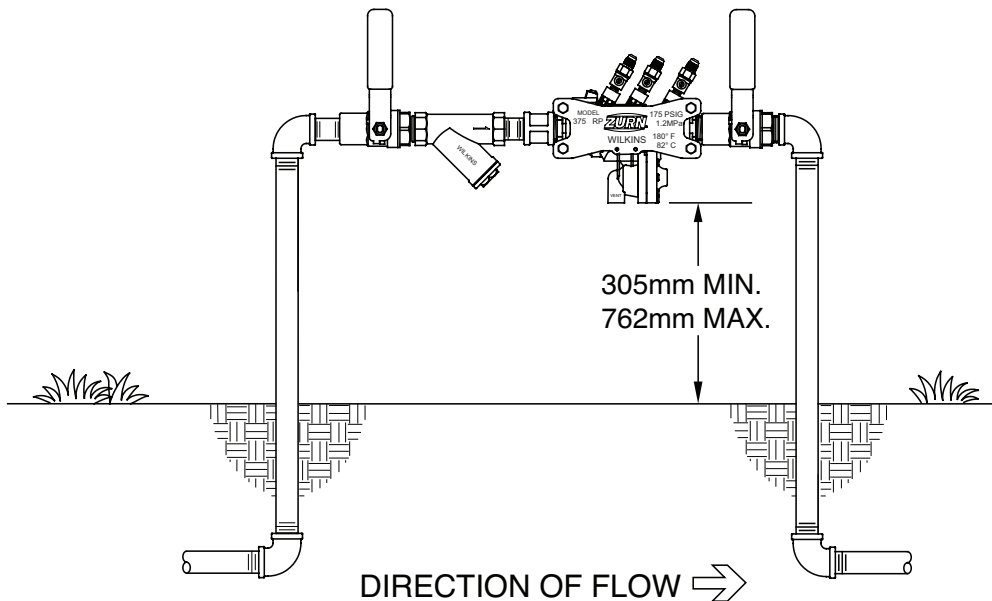
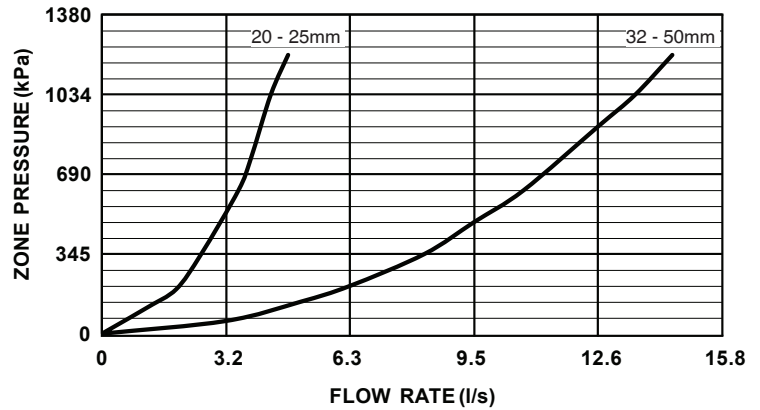


Typical Installation

Local codes shall govern installation requirements. To be installed in accordance with the manufacturers' instructions and the latest edition of the Plumbing Code of Australia and/or AS/NZS 3500. Unless otherwise specified, the assembly shall be mounted at a minimum of 12" (305mm) and a maximum of 30" (762mm) above adequate drains with sufficient side clearance for testing and maintenance. The installation shall be made so that no part of the unit can be submerged.

Relief Valve Discharge Rates

(Worst case condition- If 1st check or relief valve is lodged wide open)



TYPICAL INSTALLATION

Specifications

The Reduced Pressure Principle Backflow Preventer shall be Australian WaterMark Certified (AS/NZS 2845.1), rated to 82°C and supplied male pipe thread tailpieces. The main body shall be Nylon and the seat disc elastomers shall be silicone. The Reduced Pressure Principle Backflow Preventer shall be a ZURN WILKINS Model 375.